

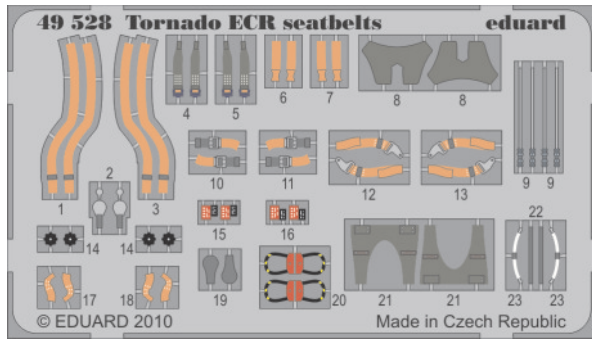


# Tornado ECR seatbelts

eduard

49 528

1/48 scale detail set for Hobby Boss kit • sada detailů pro model 1/48 Hobby Boss



- ★ APPLY EXPRESS MASK AND PAINT BEFORE GLUING  
POUŽIT EXPRESS MASK NABARVIT PŘED SLEPENÍM
- ☯ SYMMETRICAL ASSEMBLY  
SYMETRICKÁ MONTÁŽ
- REMOVE  
ODSTRANIT
- ▨ GRIND  
OBROUSIT
- ⊘ DRILL HOLE  
VRTAT OTVOR
- ↪ BEND  
OHNOUT
- ? OPTION  
VOLBA
- Ⓜ REPLACE  
NAHRADIT

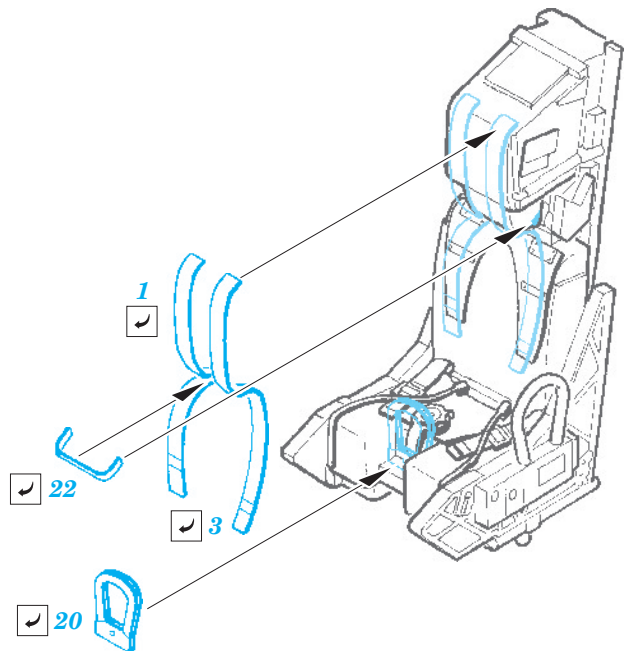
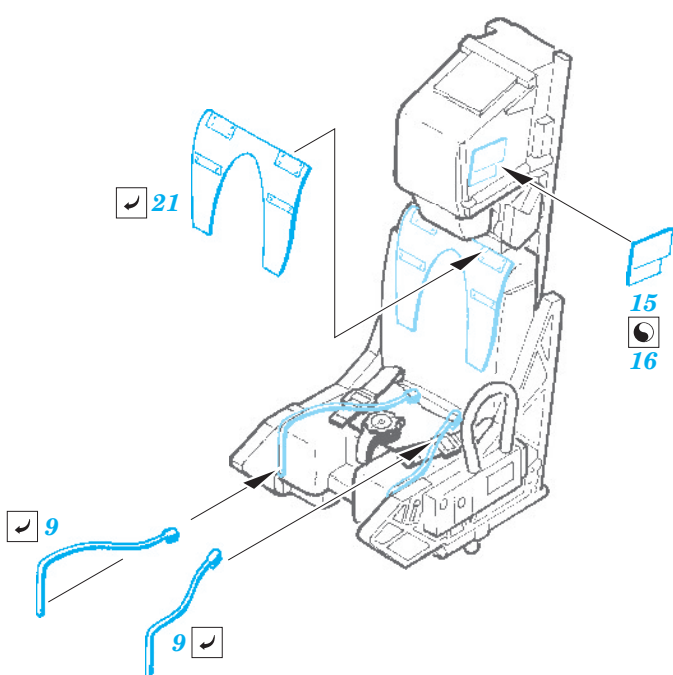
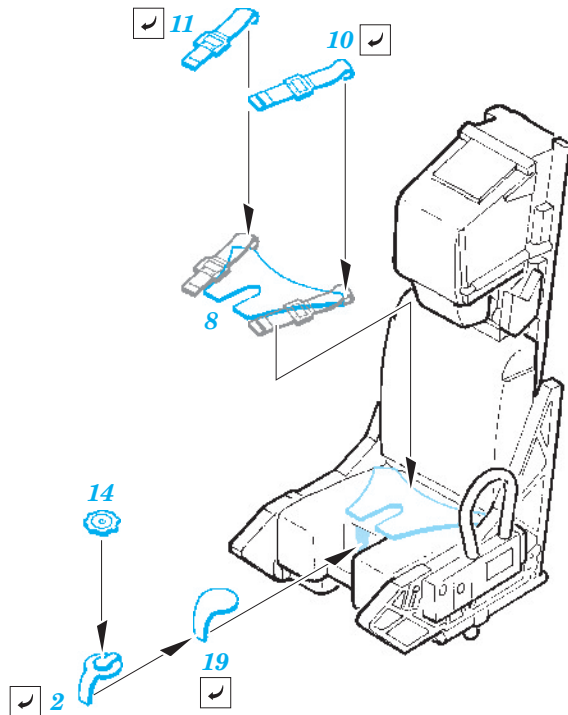
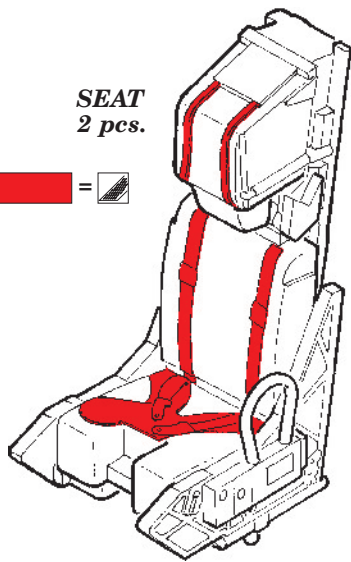
■ ORIGINAL KIT PARTS  
PŮVODNÍ DÍLY STAVEBNICE

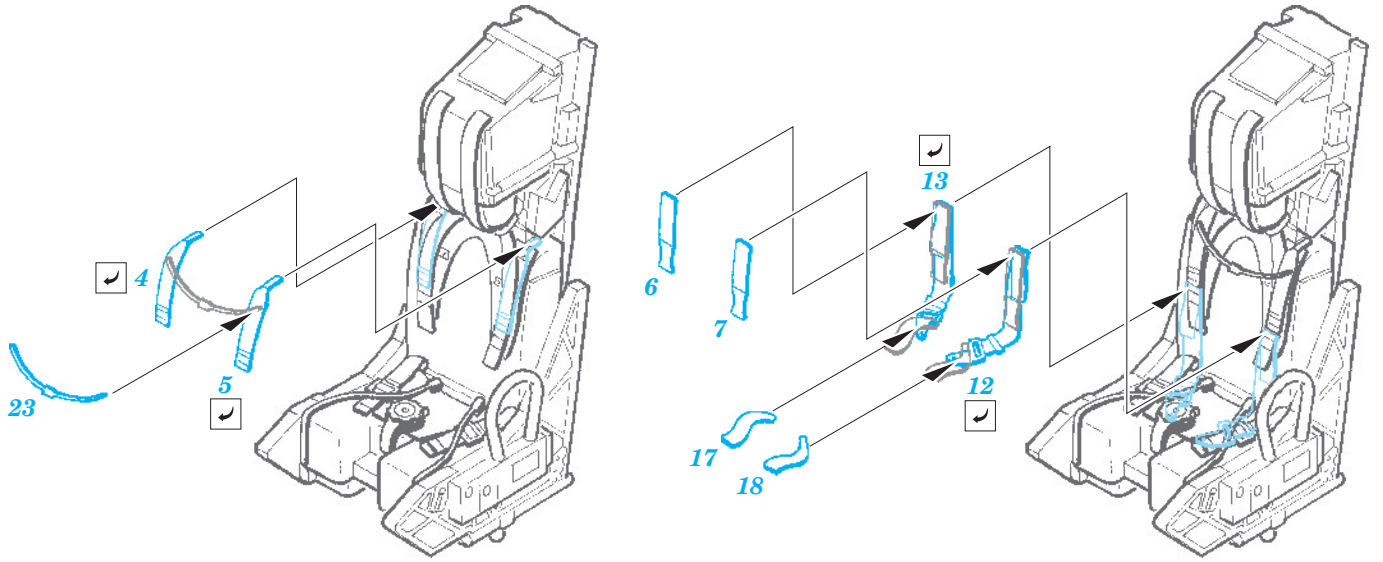
■ PHOTO-ETCHED PARTS  
LEPTANÉ DÍLY

■ PARTS TO BE REMOVED  
DÍLY K ODSTRANĚNÍ

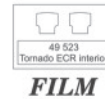
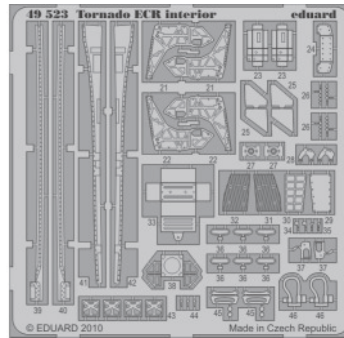
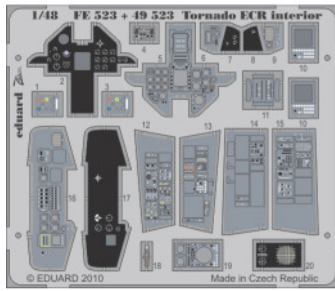
■ FILL  
TMELIT

SEAT  
2 pcs.

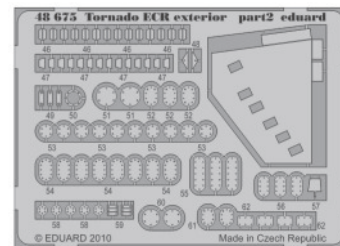
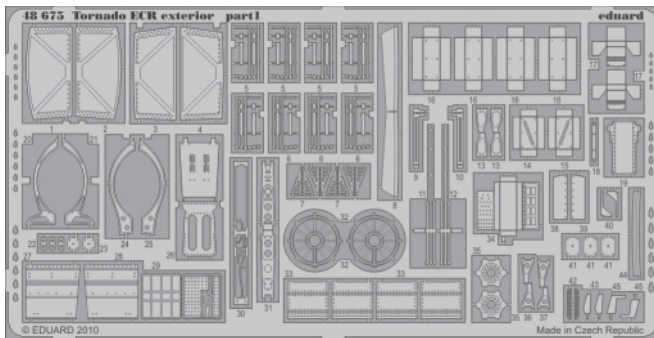




**For further detail sets look for eduard 49 523 Tornado ECR interior S.A. (not included in this set)**



**For further detail sets look for eduard 48 675 Tornado ECR exterior (not included in this set)**



**For further detail sets look for eduard 48 690 Tornado Air brake and flaps (not included in this set)**

