

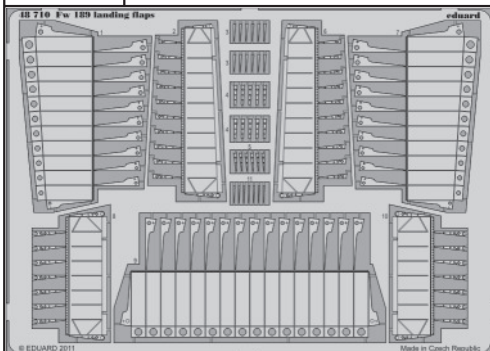


Fw 189 landing flaps

eduard

1/48 scale detail set for GREAT WALL HOBBY kit • sada detailů pro model 1/48 GREAT WALL HOBBY

48 710



- APPLY EXPRESS MASK AND PAINT BEFORE GLUING
POUŽIT EXPRESS MASK NABARVIT PŘED SLEPENÍM
- SYMETRICAL ASSEMBLY
SYMETRICKÁ MONTÁŽ
- REMOVE
ODSTRANIT
- GRIND
OBROUSIT
- DRILL HOLE
VRTAT OTVOR
- BEND
OHNOUT
- OPTION
VOLBA
- REPLACE
NAHRADIT

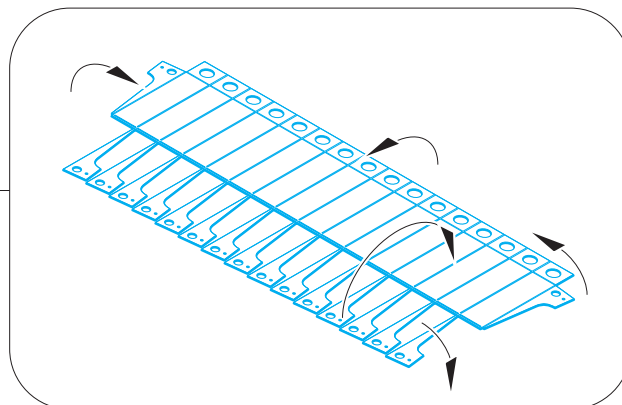
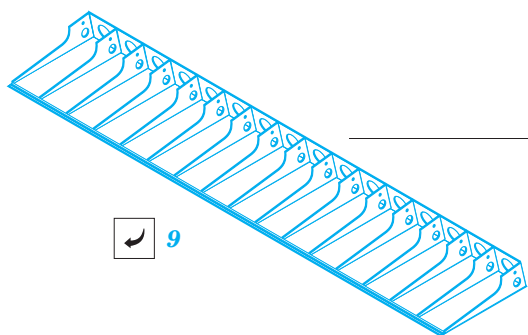
ORIGINAL KIT PARTS
PŮVODNÍ DÍLY STAVEBNICE

PHOTO-ETCHED PARTS
LEPTANÉ DÍLY

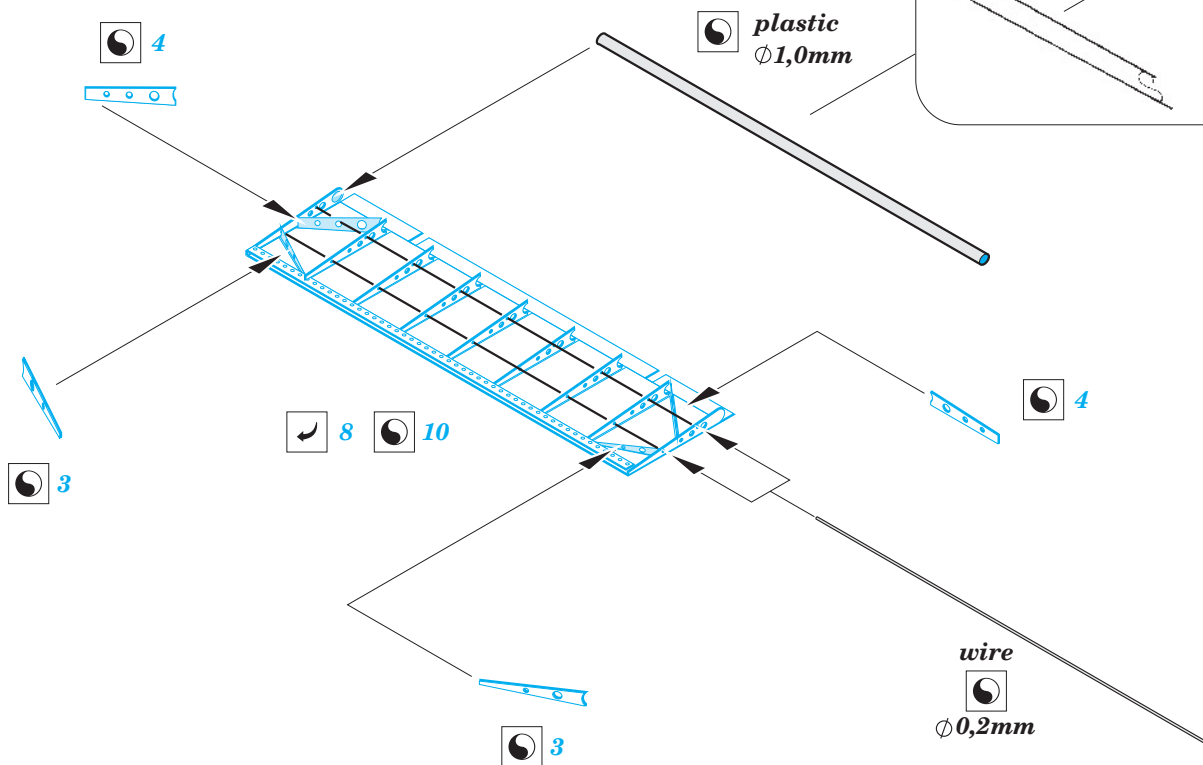
PARTS TO BE REMOVED
DÍLY K ODSTRANĚNÍ

FILL
TMELIT

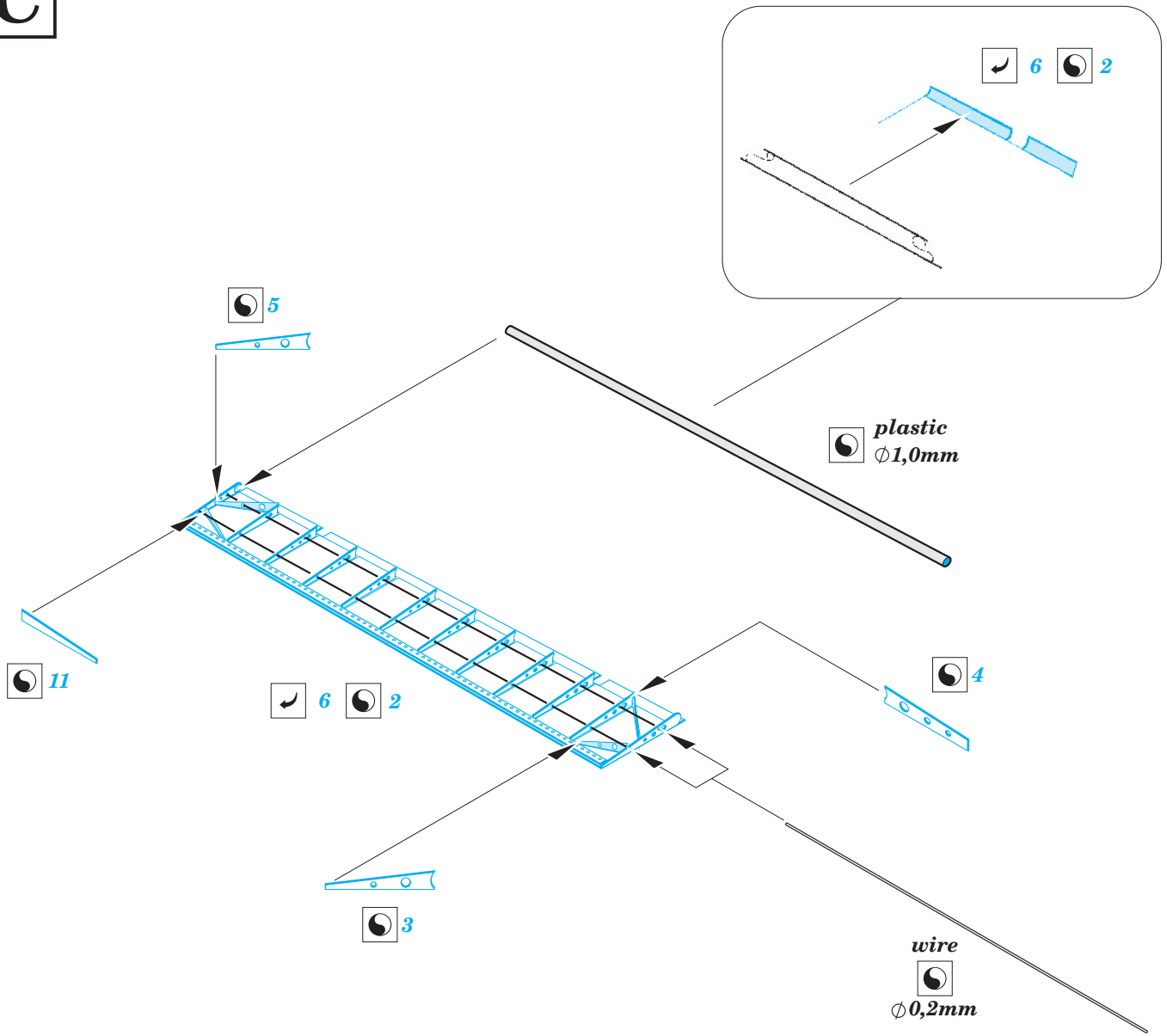
A



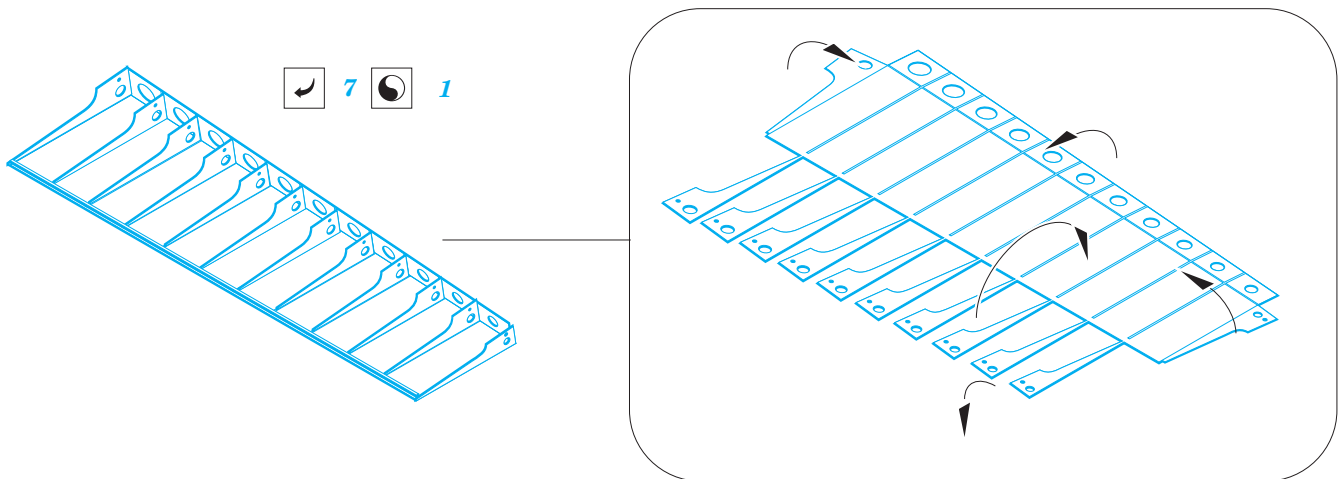
B

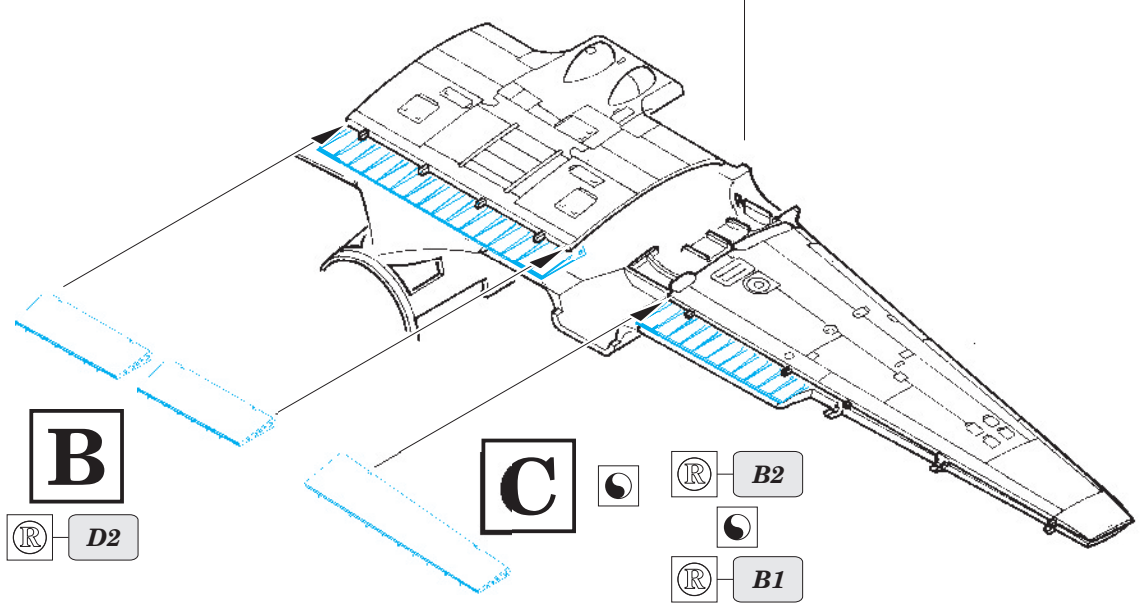
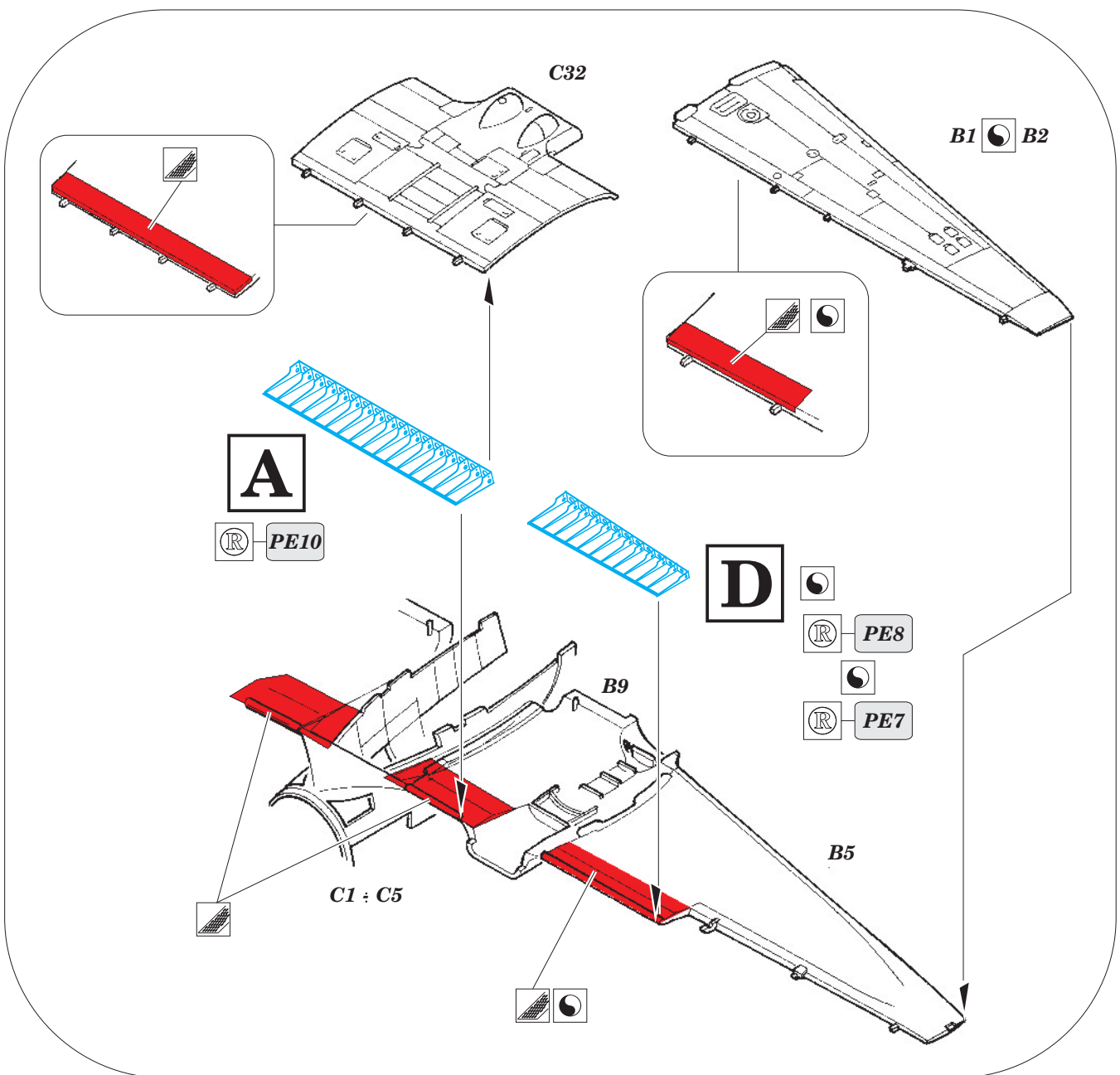


C

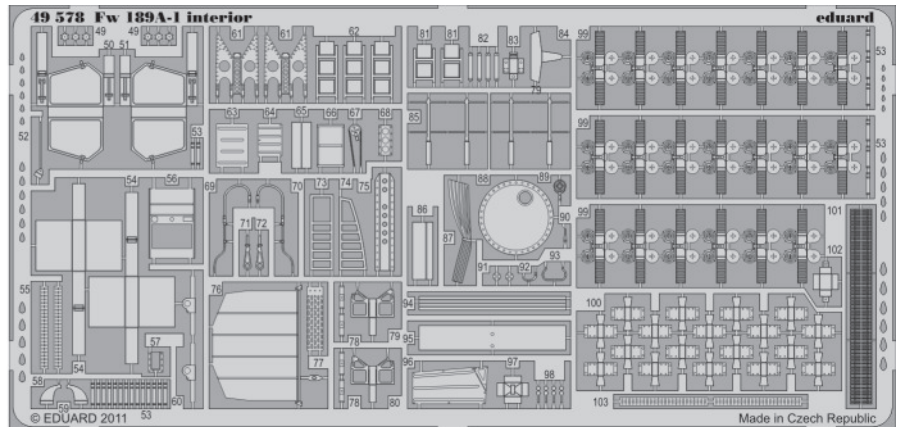
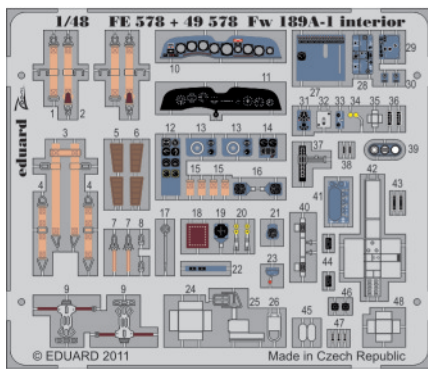


D

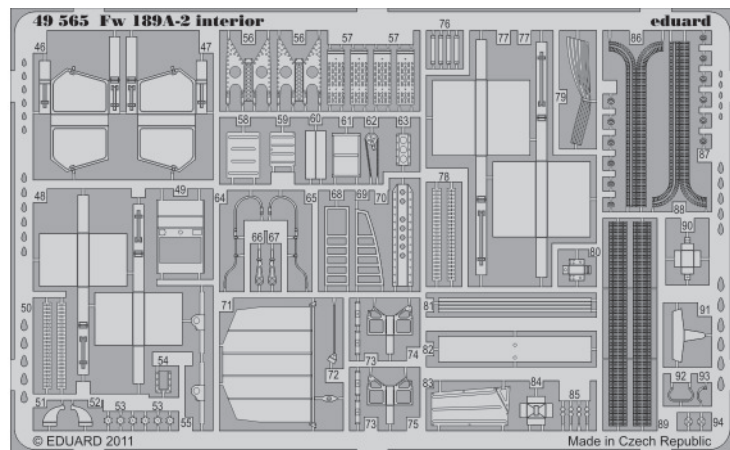
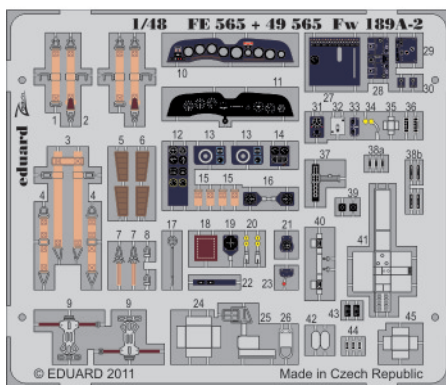




*For further detail sets look for **eduard** FE 578+49 578 Fw 189A-1 interior
(not included in this set)*



*For further detail sets look for **eduard** FE 565+49 565 Fw 189A-2 interior
(not included in this set)*



*For further detail sets look for **eduard** 48 712 Fw 189 exterior
(not included in this set)*

