

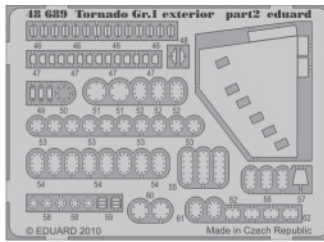
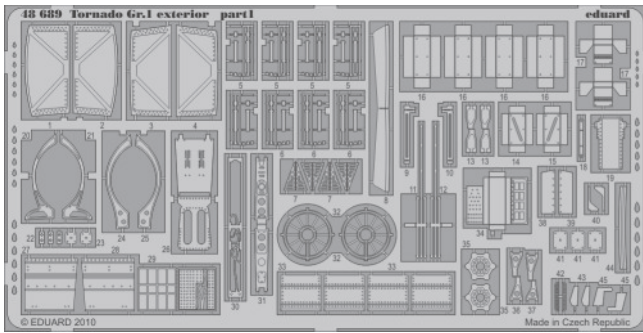


# Tornado Gr.1 exterior

eduard

## 48 689

1/48 scale detail set for Hobby Boss kit • sada detailů pro model 1/48 Hobby Boss



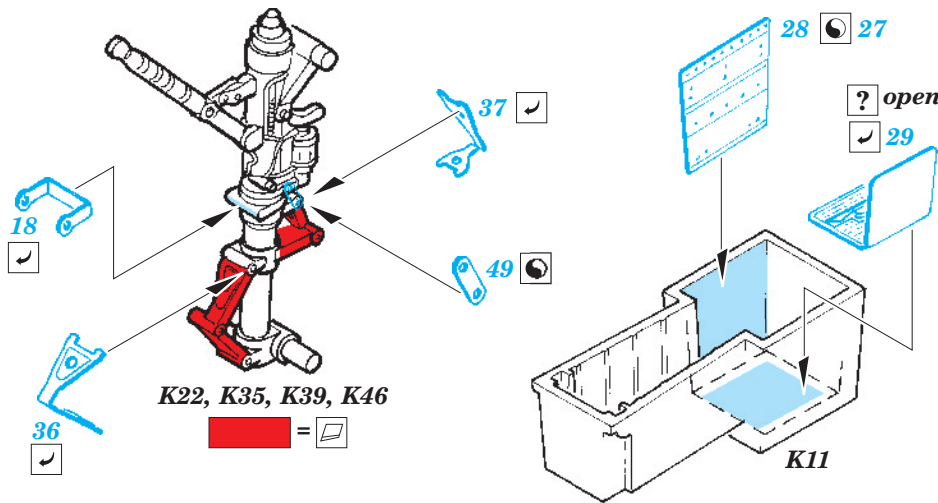
- APPLY EXPRESS MASK AND PAINT BEFORE GLUING  
POUŽIT EXPRESS MASK NABARVIT PŘED SLEPENÍM
- SYMMETRICAL ASSEMBLY  
SYMETRICKÁ MONTÁŽ
- REMOVE  
ODSTRANIT
- GRIND  
OBROUSIT
- DRILL HOLE  
VRTAT OTVOR
- BEND  
OHNOUT
- OPTION  
VOLBA
- REPLACE  
NAHRADIT

ORIGINAL KIT PARTS  
PŮVODNÍ DÍLY STAVEBNICE

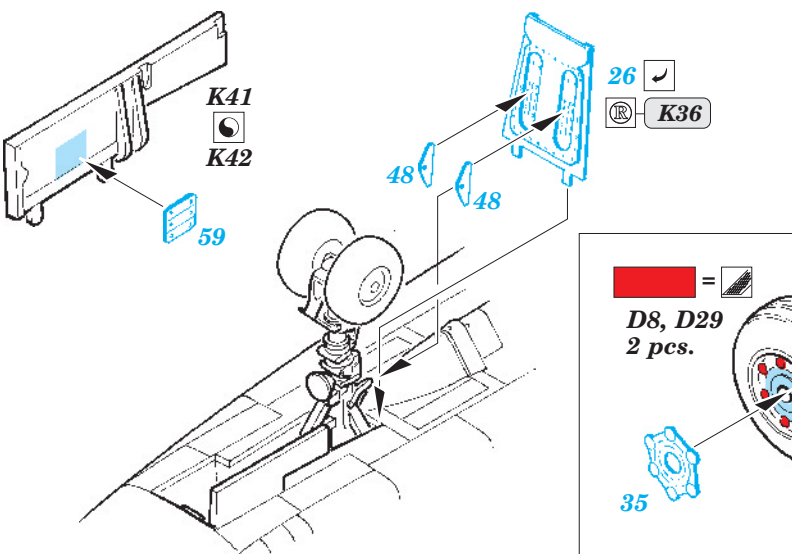
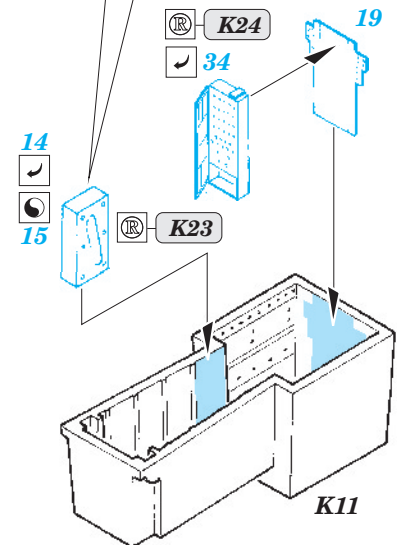
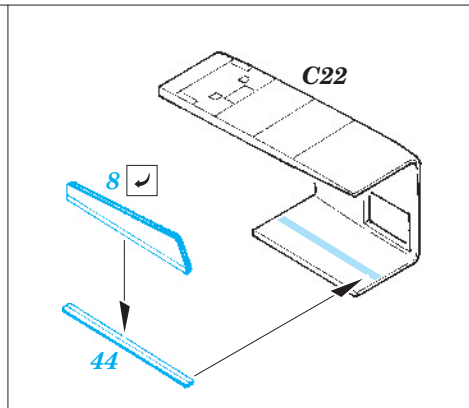
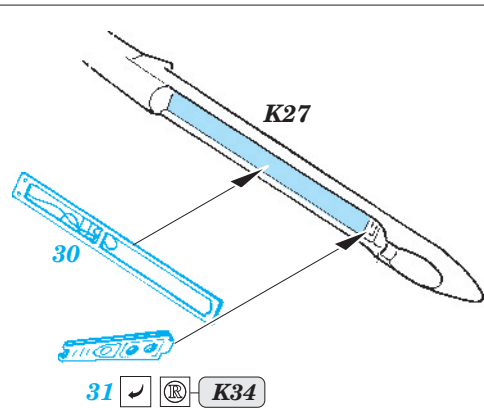
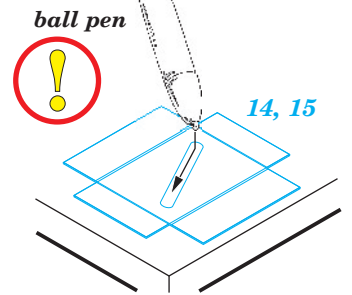
PHOTO-ETCHED PARTS  
LEPTANÉ DÍLY

PARTS TO BE REMOVED  
DÍLY K ODSTRANĚNÍ

FILL  
TMELIT



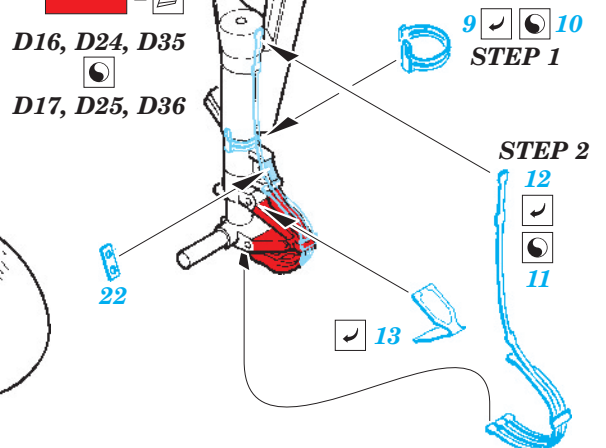
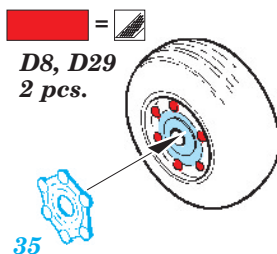
### HOW TO MAKE THE RELIEF ON OPPOSITE - REVERSE - OF THE PLATE

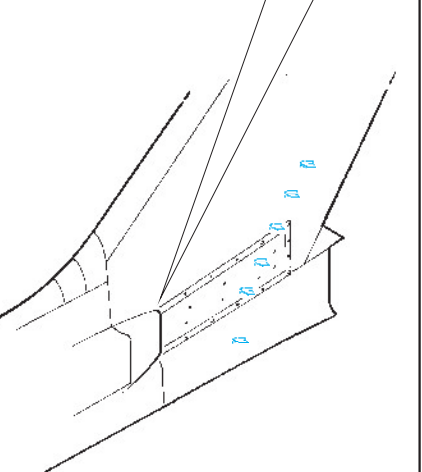
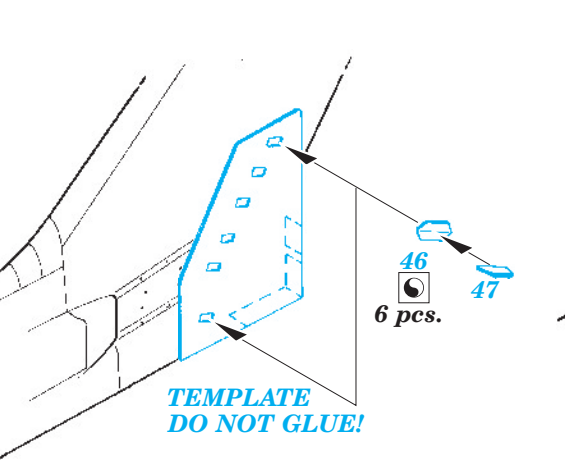
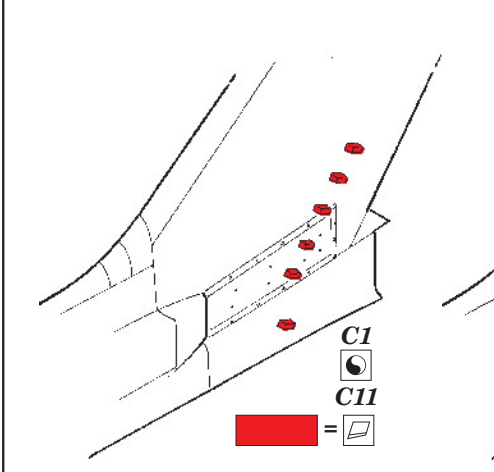
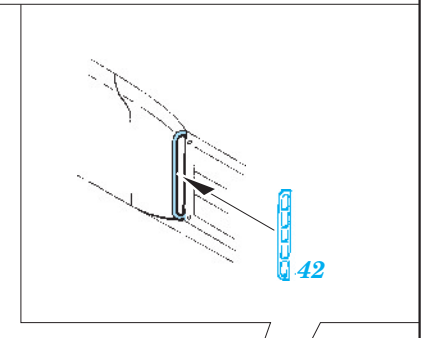
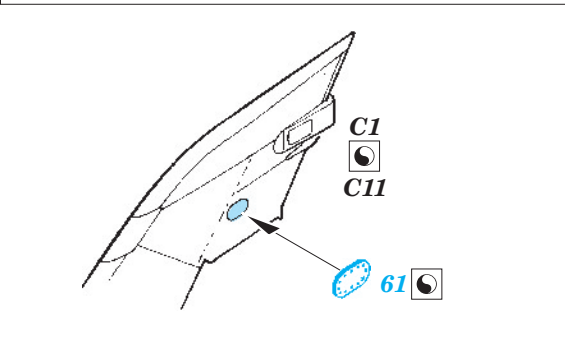
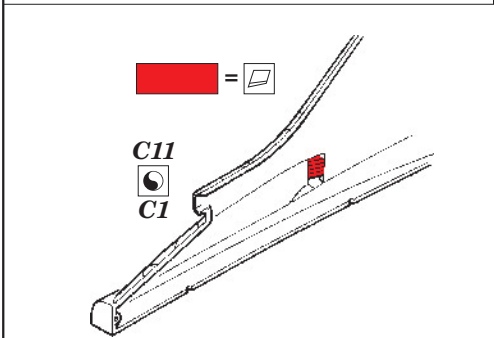
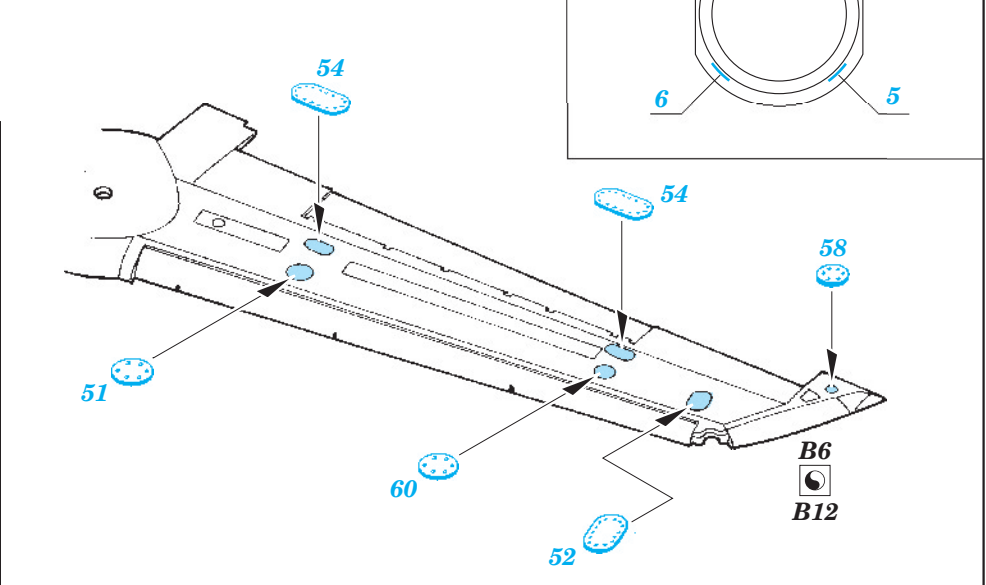
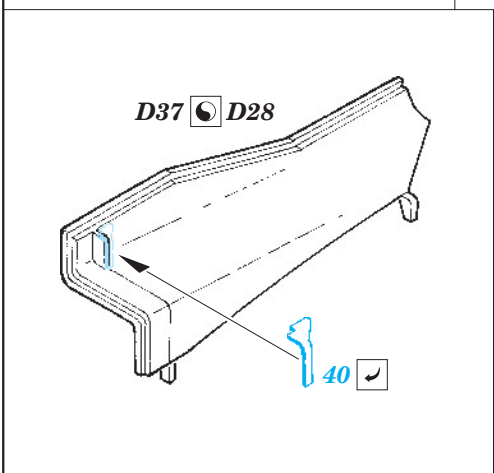
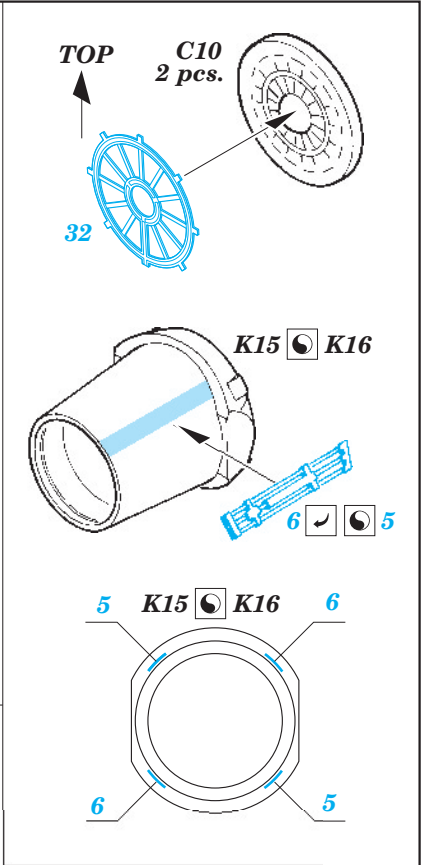
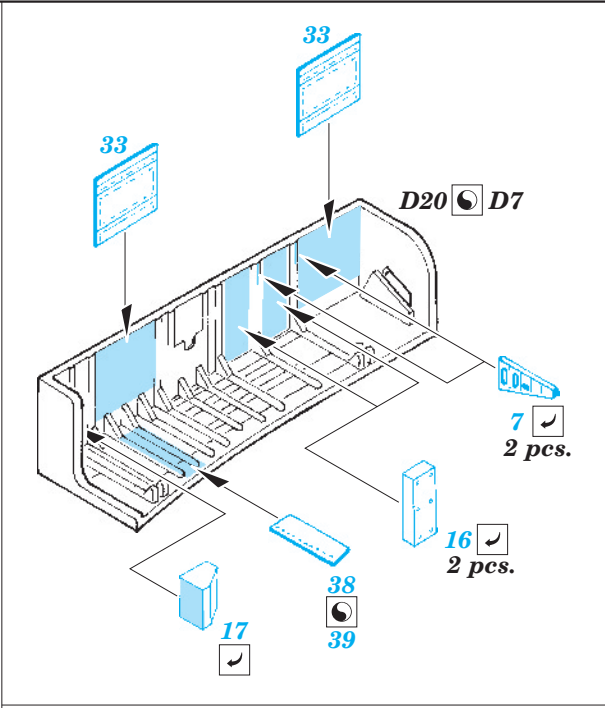
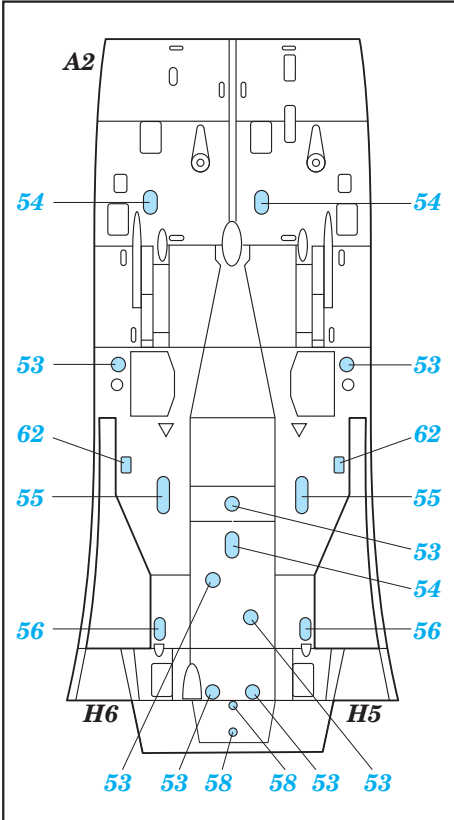


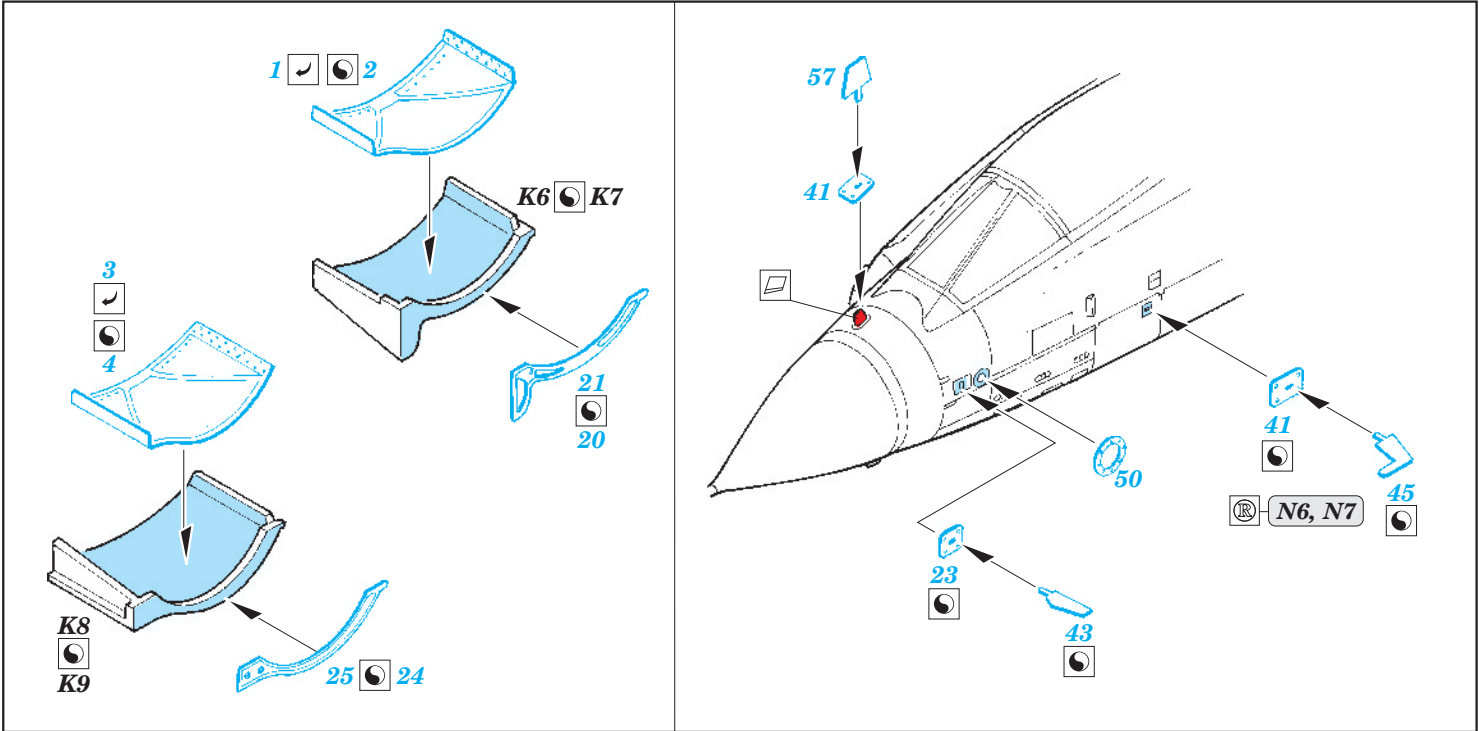
=

**D16, D24, D35**

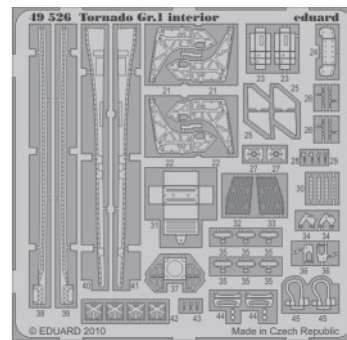
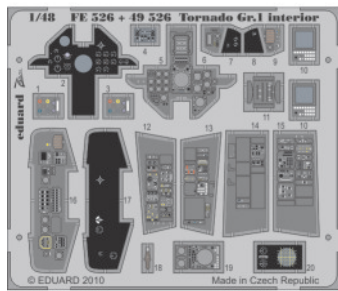
**D17, D25, D36**



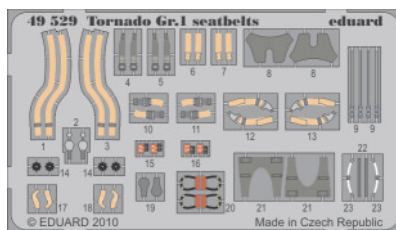




*For further detail sets look for **eduard** 49 526 Tornado Gr.1 interior S.A. (not included in this set)*



*For further detail sets look for **eduard** 49 529 Tornado Gr.1 seatbelts (not included in this set)*



*For further detail sets look for **eduard** 48 690 Tornado Air brake and flaps (not included in this set)*

