

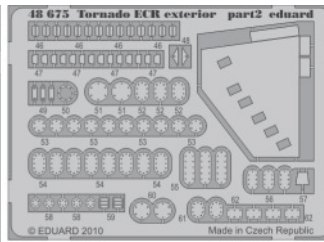
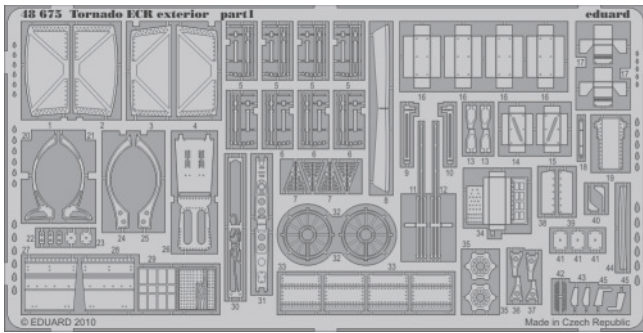


Tornado ECR exterior

eduard

48 675

1/48 scale detail set for Hobby Boss kit • sada detailů pro model 1/48 Hobby Boss



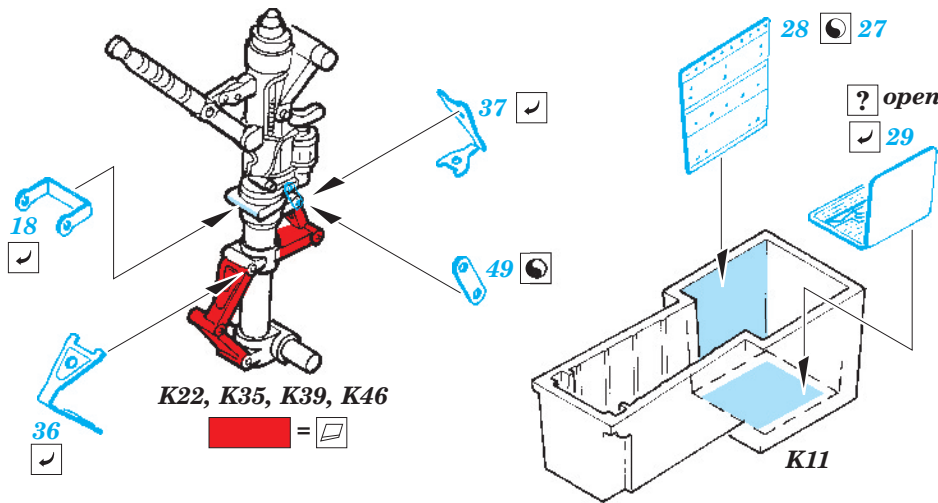
- ★ APPLY EXPRESS MASK AND PAINT BEFORE GLUING
POUŽIT EXPRESS MASK NABARVIT PŘED SLEPENÍM
- ☉ SYMMETRICAL ASSEMBLY
SYMETRICKÁ MONTÁŽ
- ☐ REMOVE
ODSTRANIT
- ☑ BEND
OHNOUT
- ☑ GRIND
OBROUSIT
- ☑ DRILL HOLE
VRTAT OTVOR
- ☑ ? OPTION
VOLBA
- ☑ REPLACE
NAHRADIT

ORIGINAL KIT PARTS
PŮVODNÍ DÍLY STAVEBNICE

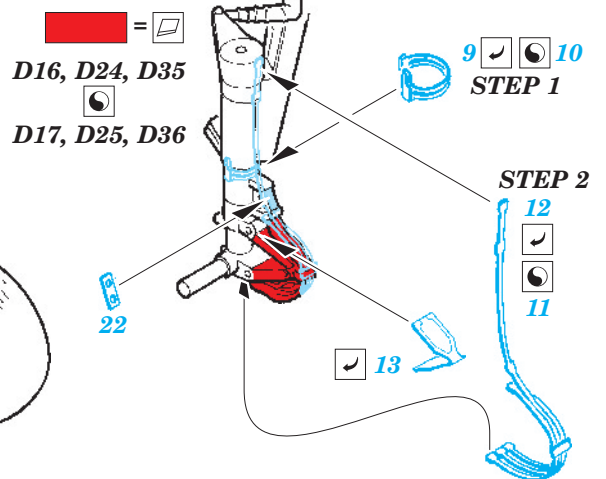
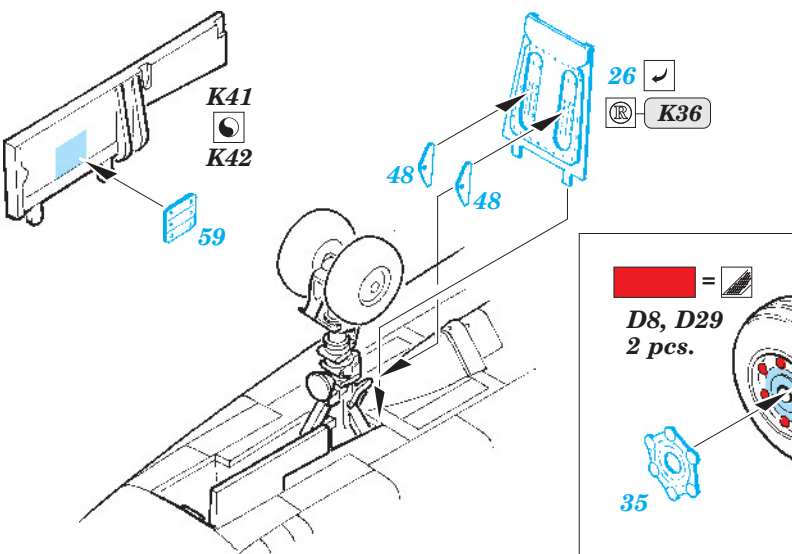
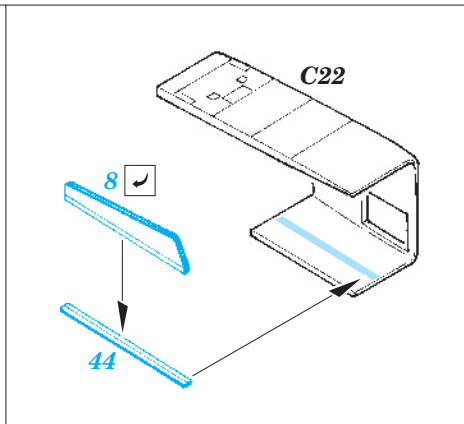
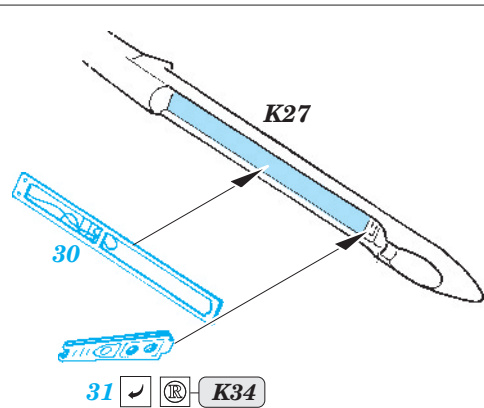
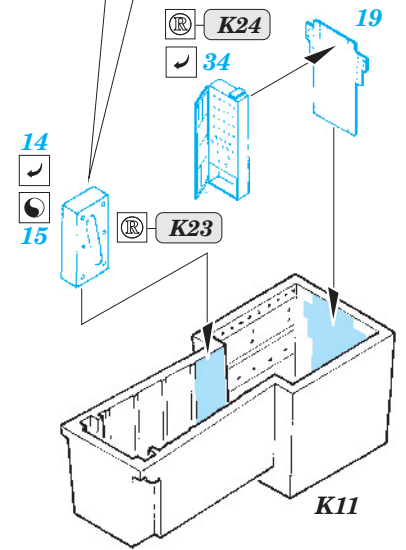
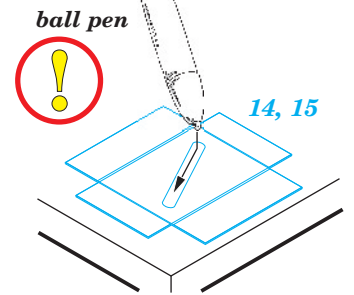
PHOTO-ETCHED PARTS
LEPTANÉ DÍLY

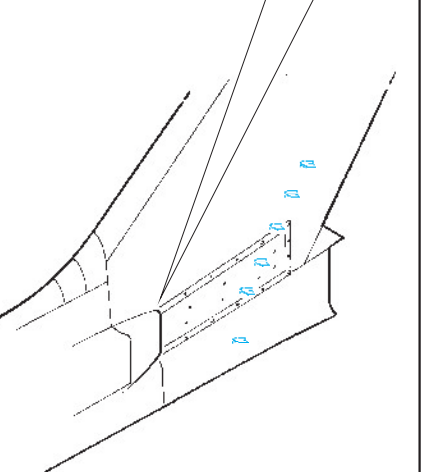
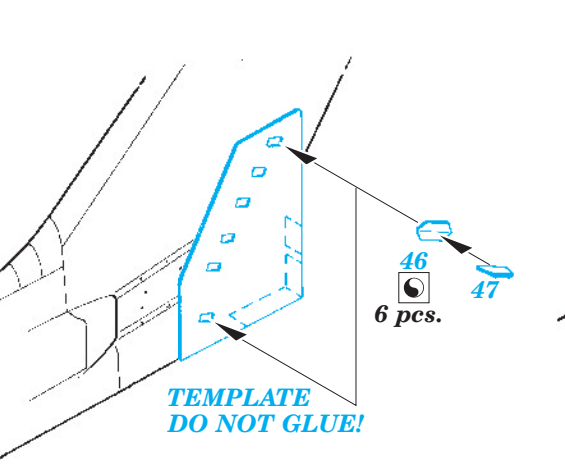
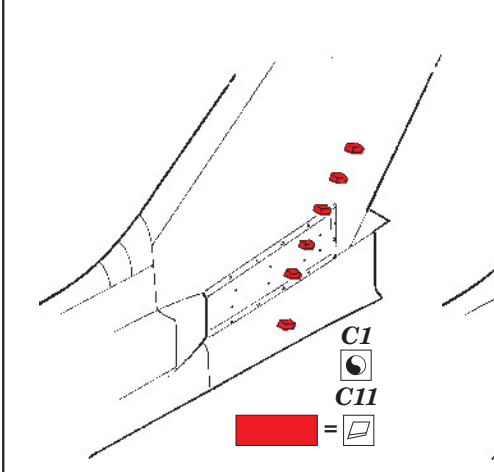
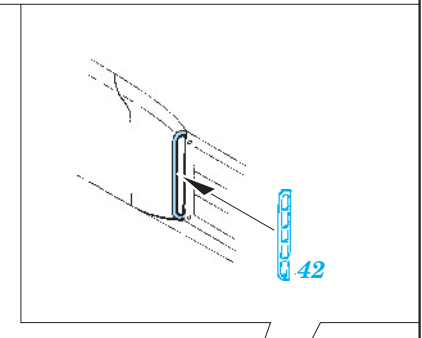
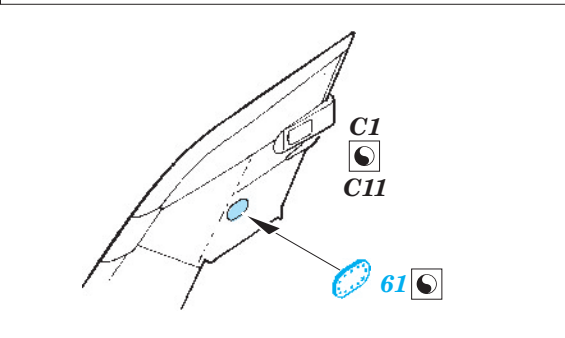
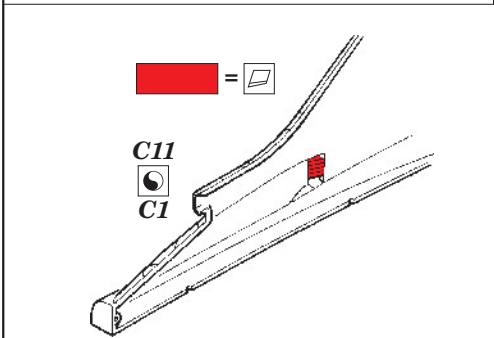
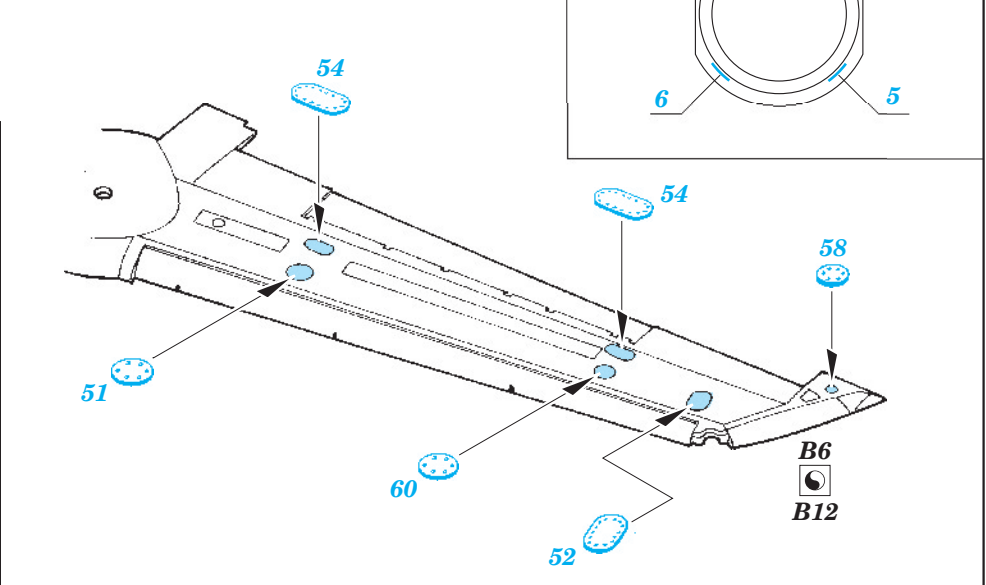
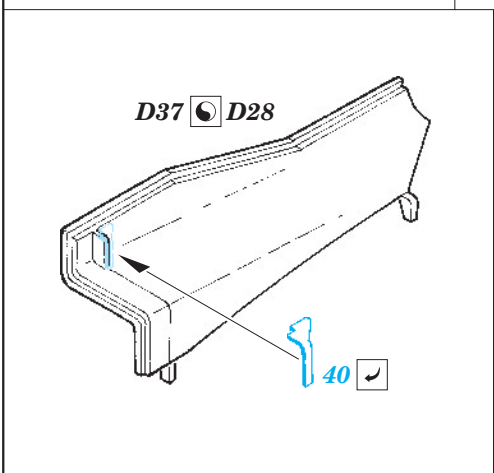
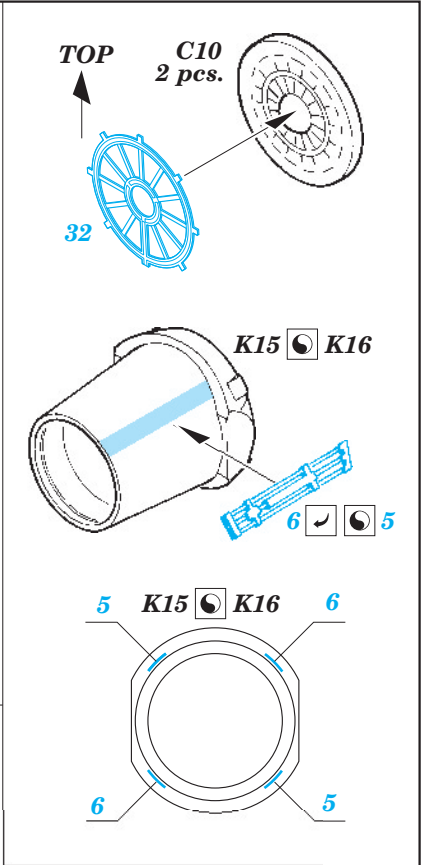
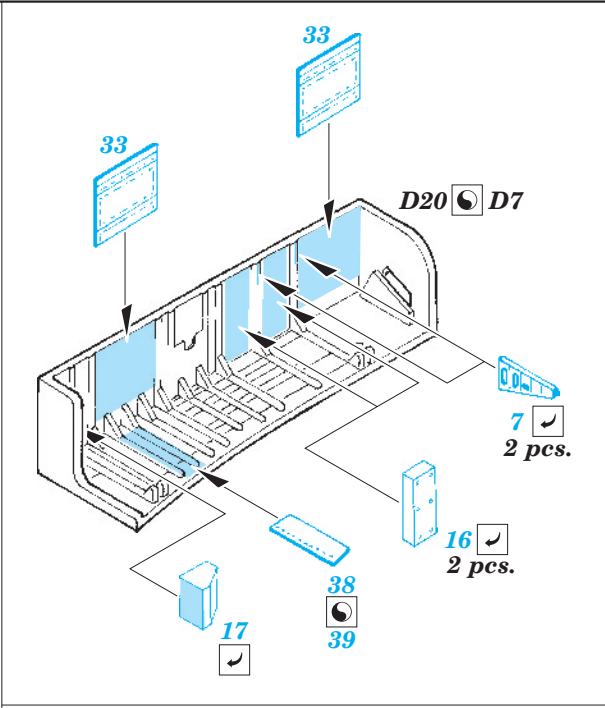
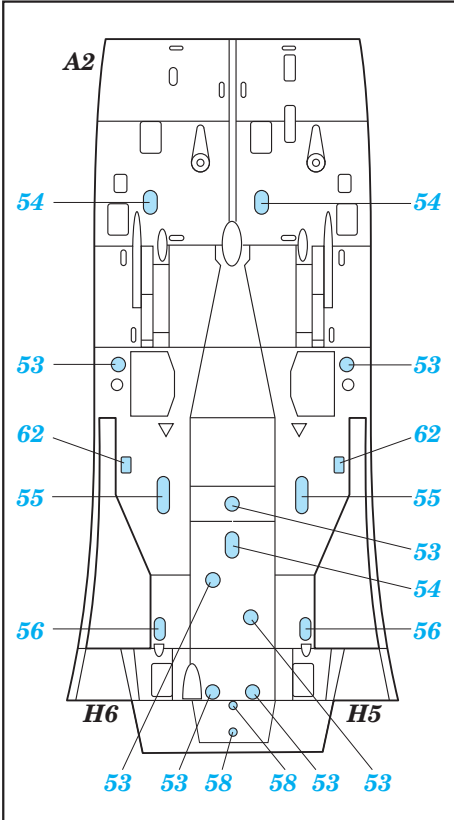
PARTS TO BE REMOVED
DÍLY K ODSTRANĚNÍ

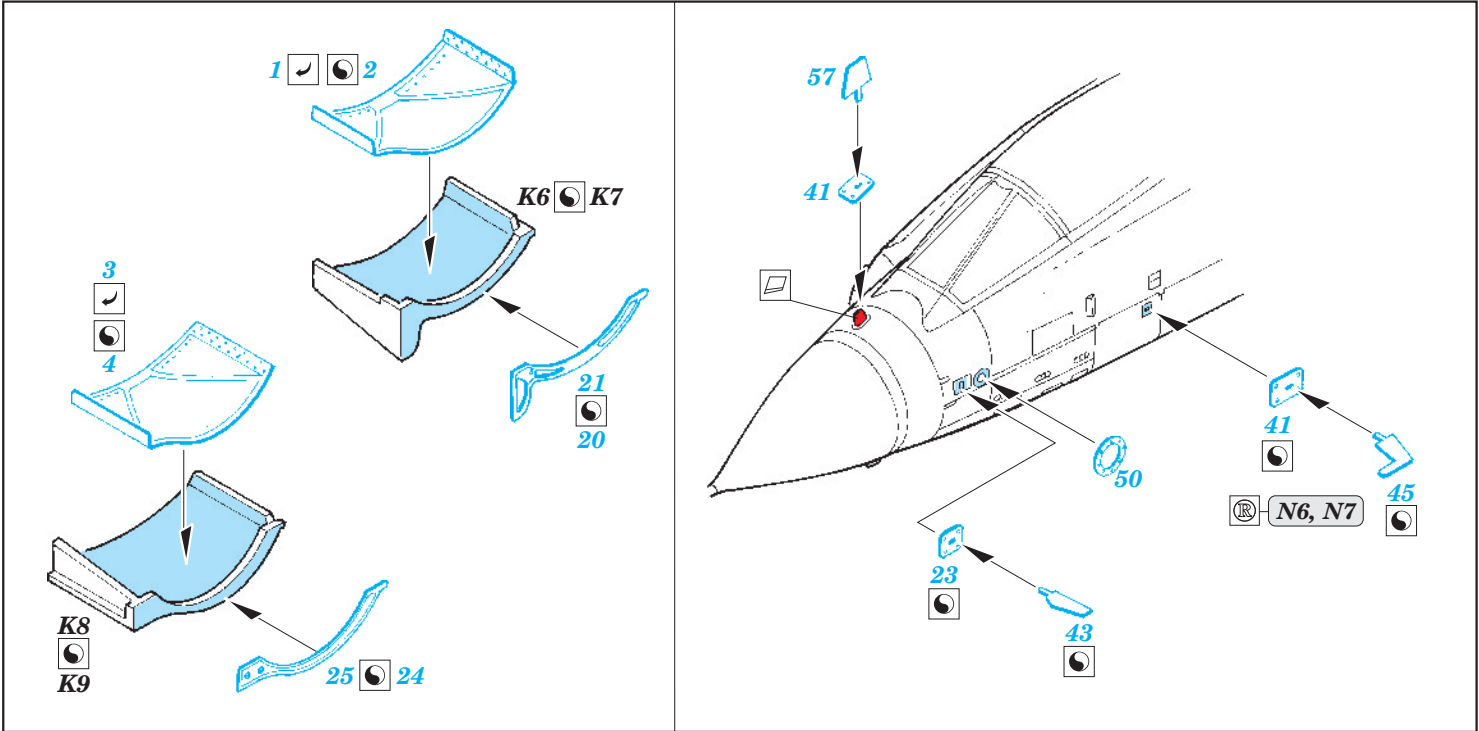
FILL
TMELIT



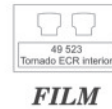
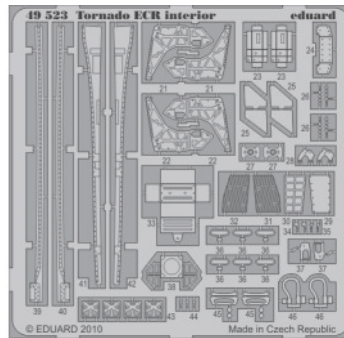
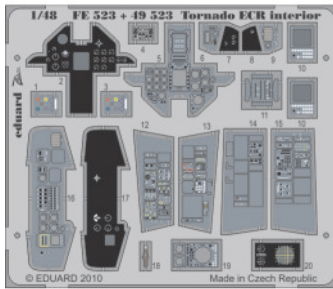
HOW TO MAKE THE RELIEF ON OPPOSITE - REVERSE - OF THE PLATE



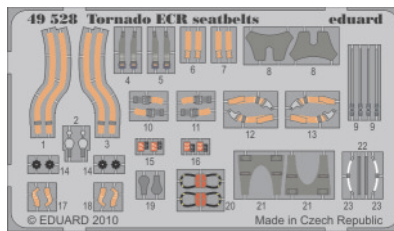




*For further detail sets look for **eduard** 49 523 Tornado ECR interior S.A. (not included in this set)*



*For further detail sets look for **eduard** 49 528 Tornado ECR seatbelts (not included in this set)*



*For further detail sets look for **eduard** 48 690 Tornado Air brake and flaps (not included in this set)*

