

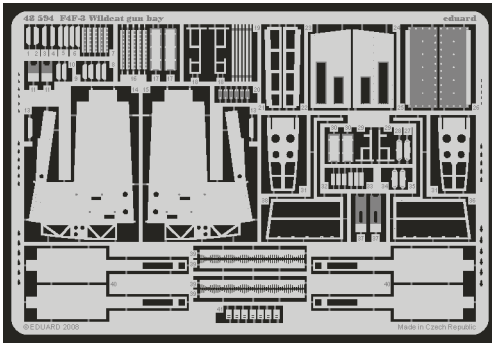


F4F-3 Wildcat gun bay

eduard

48 594

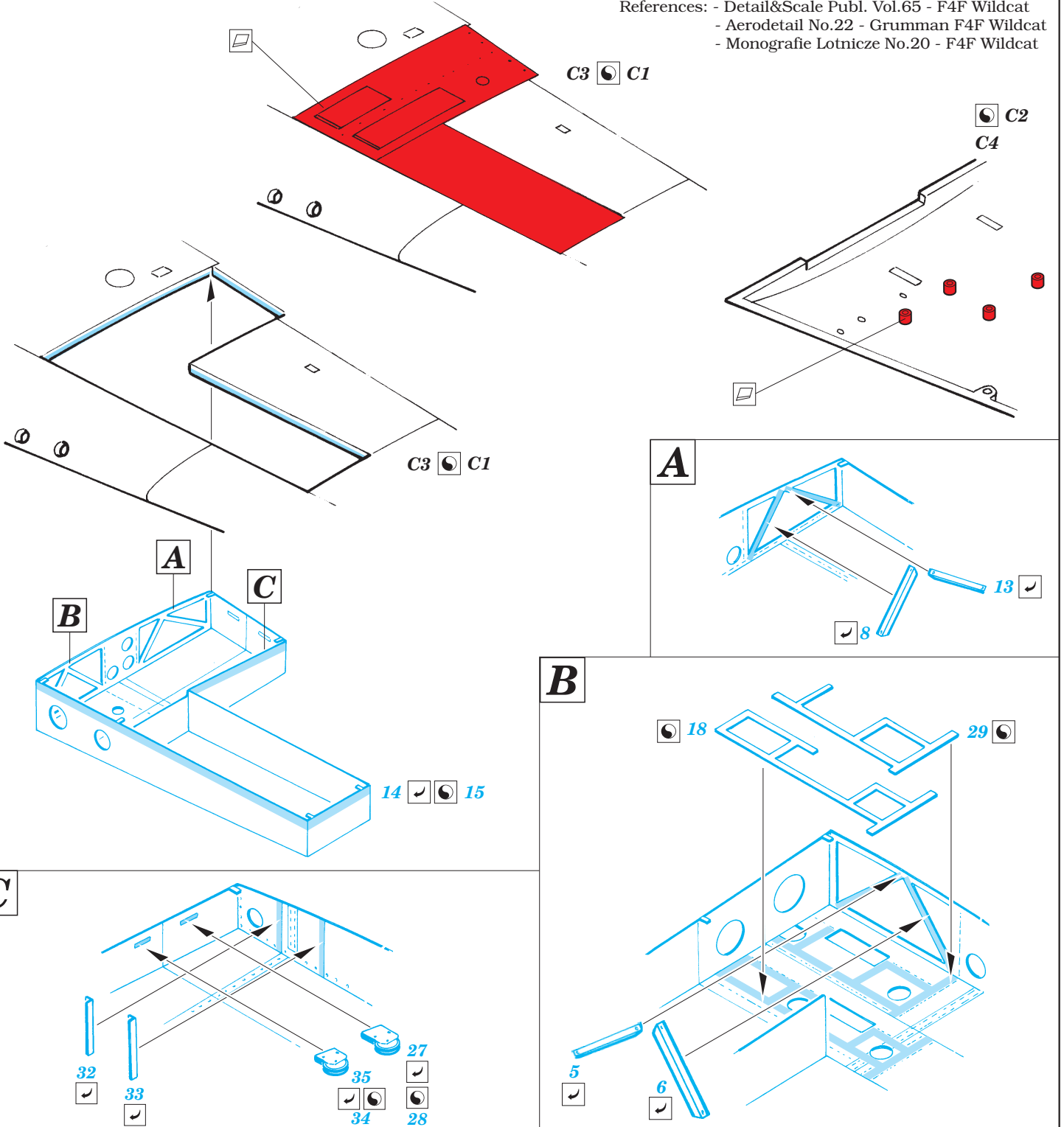
1/48 scale detail set for Hobby Boss kit • sada detailů pro model 1/48 Hobby Boss



- ★ APPLY EXPRESS MASK AND PAINT BEFORE GLUING
POUŽÍT EXPRESS MASK NABARVIT PŘED SLEPENÍM
- ◐ SYMMETRICAL ASSEMBLY
SYMETRICKÁ MONTÁŽ
- REMOVE
ODSTRANIT
- ▨ GRIND
OBROUSIT
- ⊘ DRILL HOLE
VRTAT OTVOR
- ↪ BEND
OHNOUT
- ? OPTION
VOLBA
- Ⓜ REPLACE
NAHRADIT

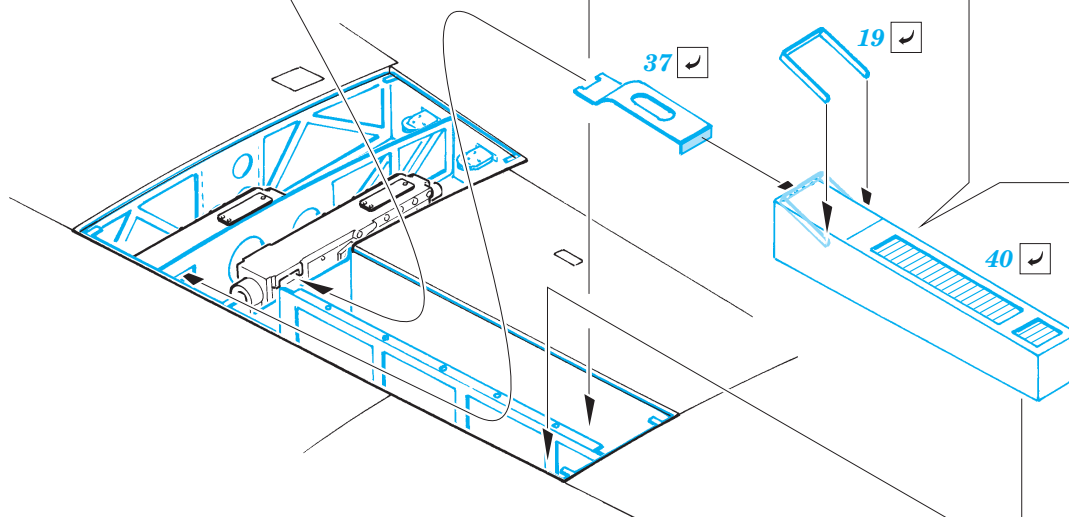
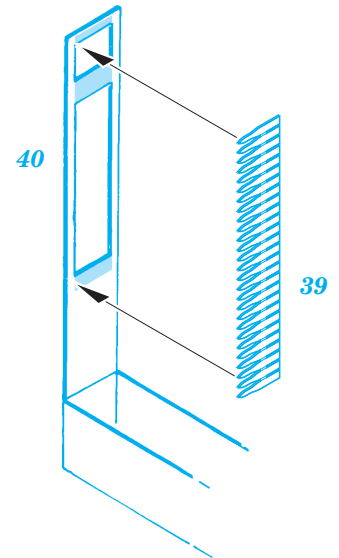
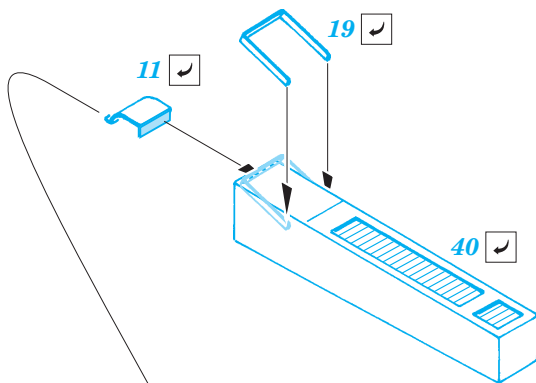
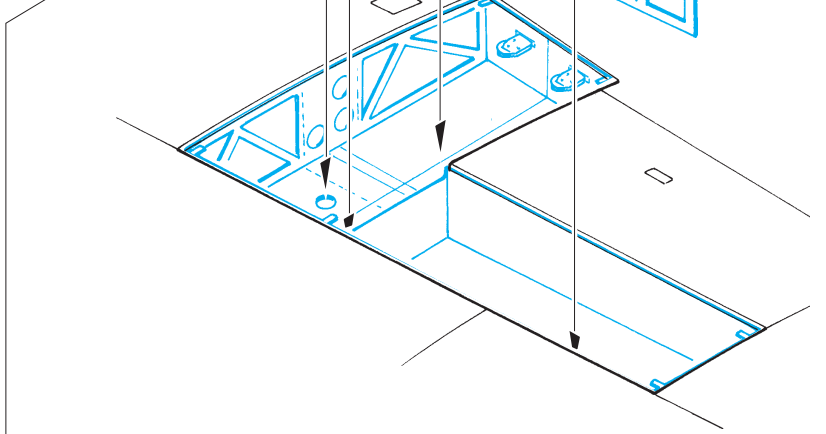
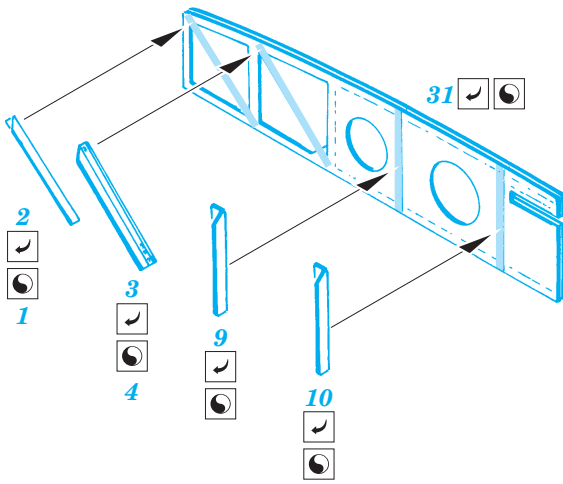
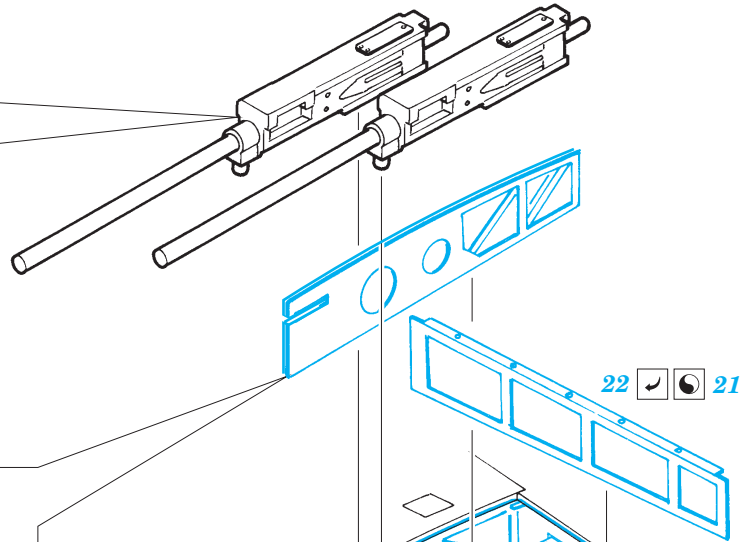
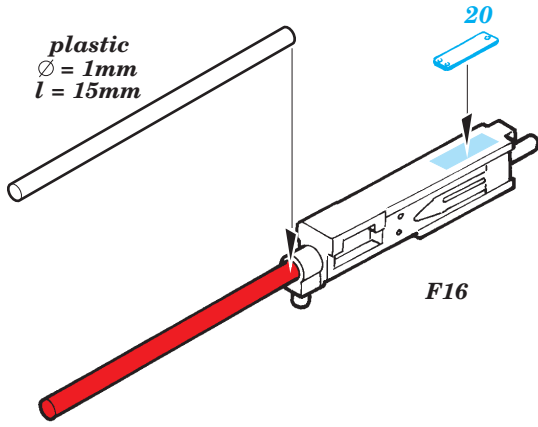
ORIGINAL KIT PARTS
PŮVODNÍ DÍLY STAVEBNICE
 PHOTO-ETCHED PARTS
LEPTANÉ DÍLY
 PARTS TO BE REMOVED
DÍLY K ODSTRANĚNÍ
 FILL
TMELIT

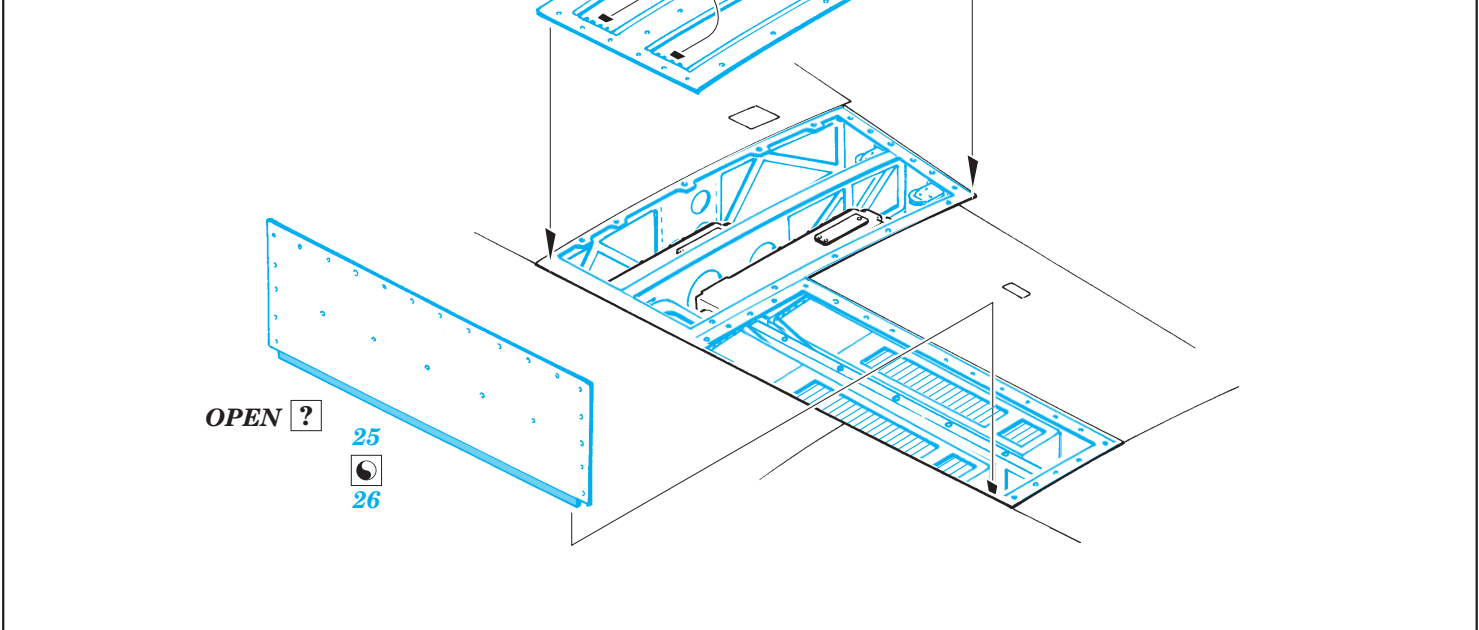
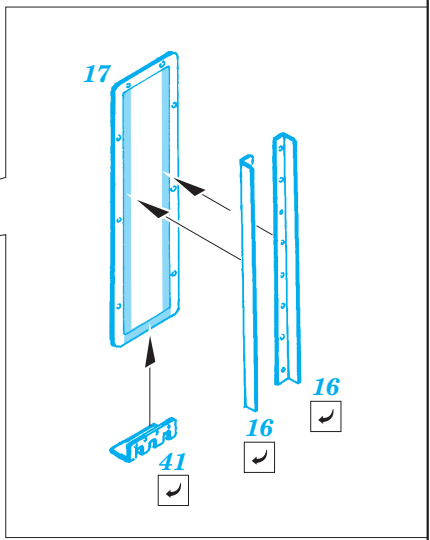
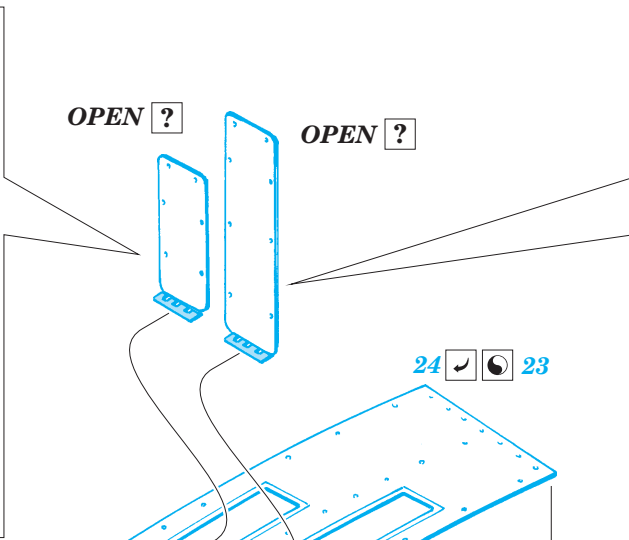
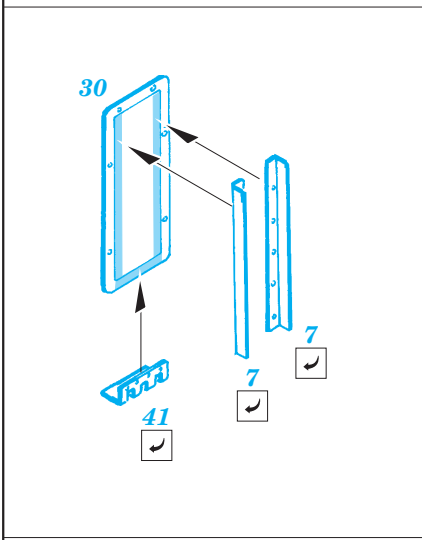
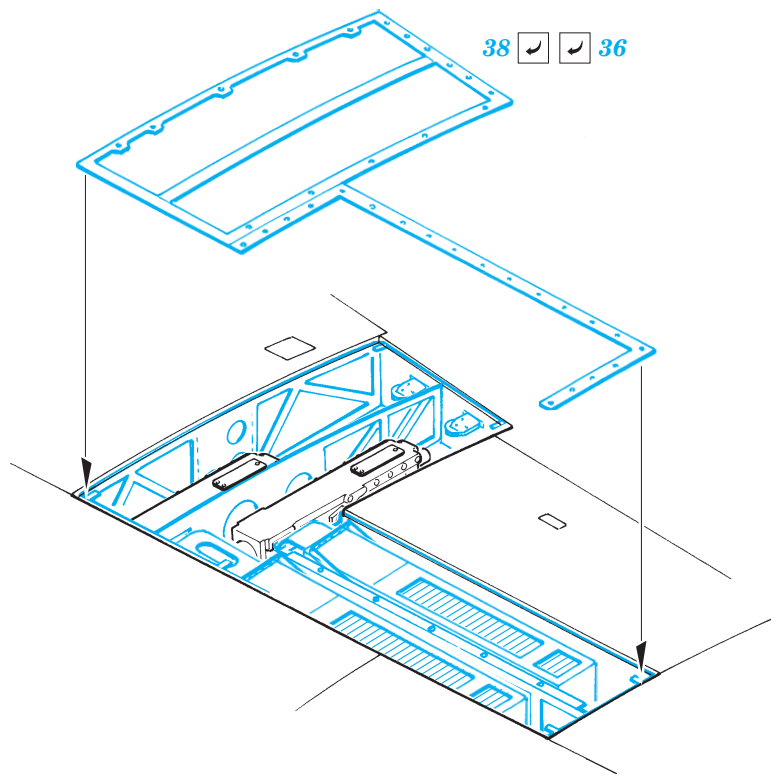
References: - Detail&Scale Publ. Vol.65 - F4F Wildcat
 - Aerodetail No.22 - Grumman F4F Wildcat
 - Monografie Lotnicze No.20 - F4F Wildcat



4 pcs.

plastic
Ø = 1mm
l = 15mm





For further detail sets look for eduard 48 590 F4F-3 Wildcat engine and undercarriage (not included in this set)

For further detail sets look for eduard 49 412 F4F-3 Wildcat s. adh. (not included in this set)

