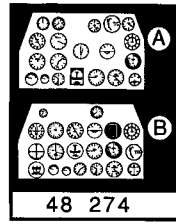
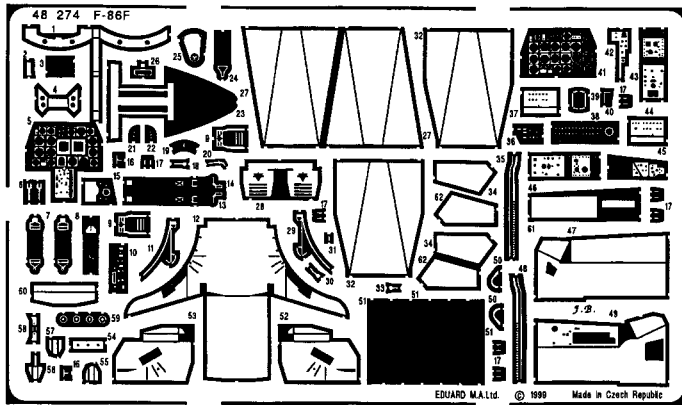





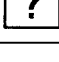




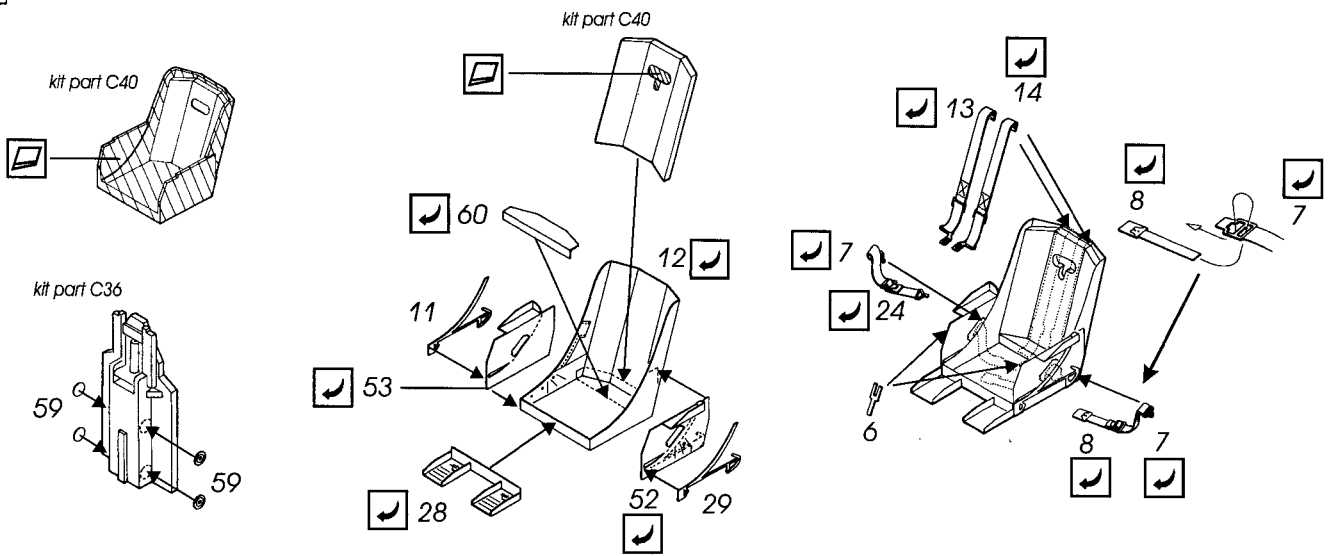
# F-86F

1/48 scale detail set for Academy kit

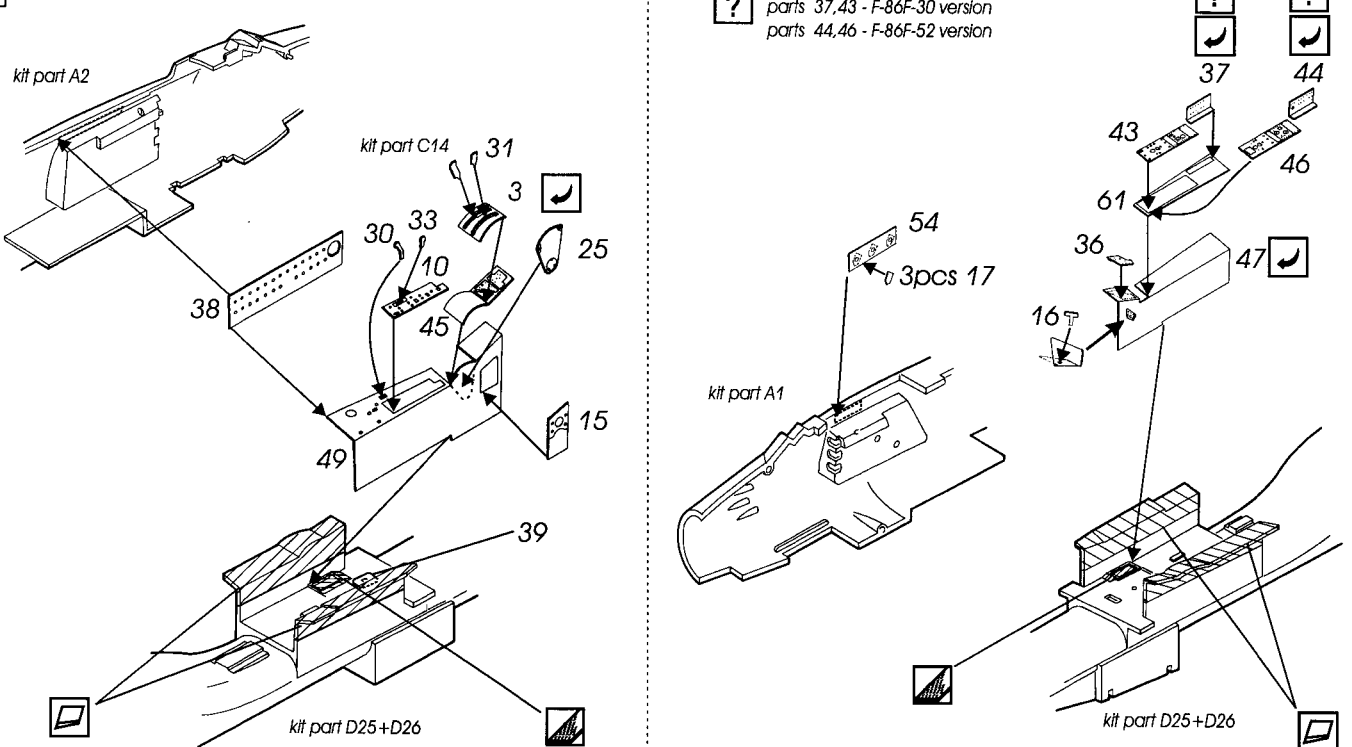


-  OPPOSITE SIDE
-  REMOVE
-  BEND
-  REPLACE
-  GRIND
-  OPTION

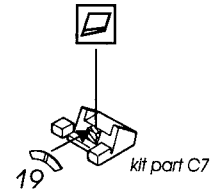
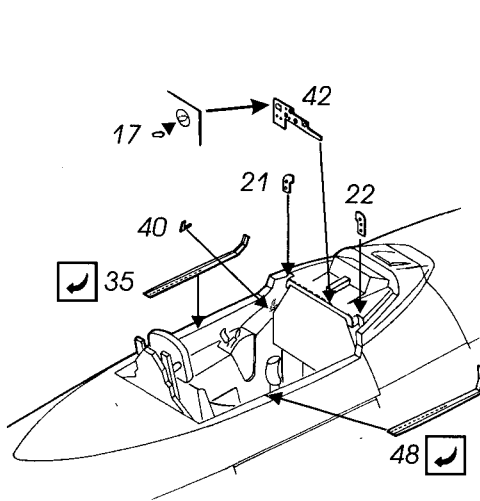
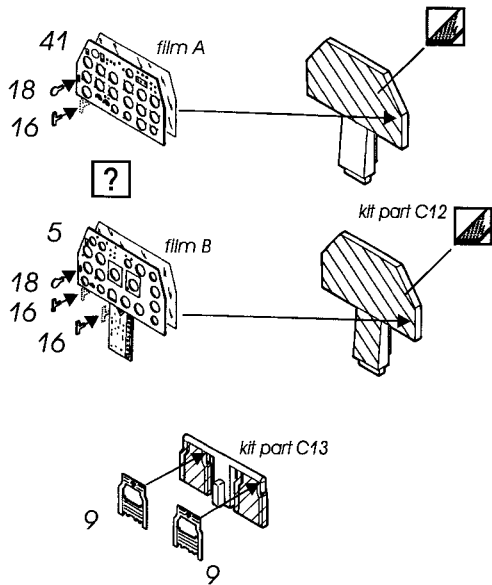
## A COCKPIT



## B COCKPIT

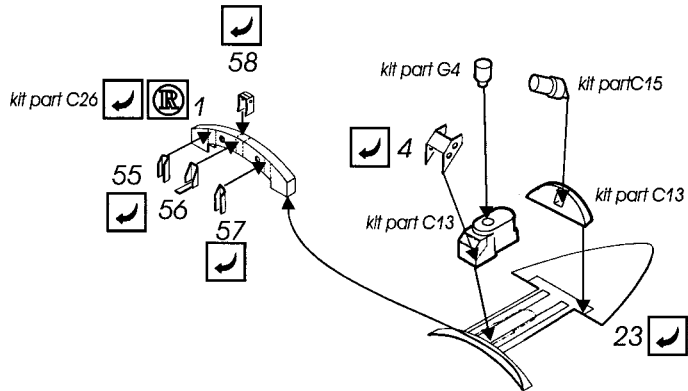
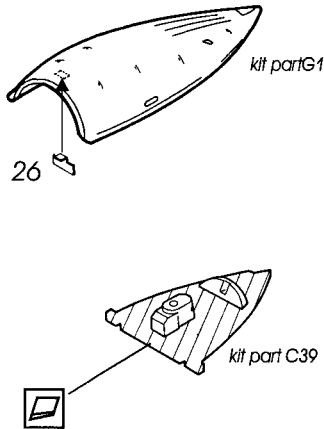


### C INSTRUMENT PANEL



? part 5,21,22 -F-86F-30 version only  
 ? part 41,42 -F-86F-52 version only

### D CANOPY



### E EXTERNAL PARTS

