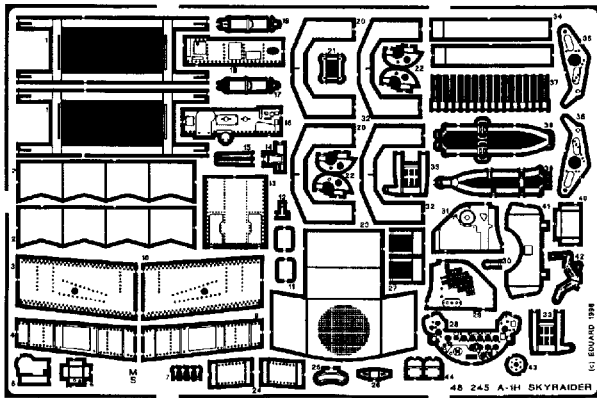









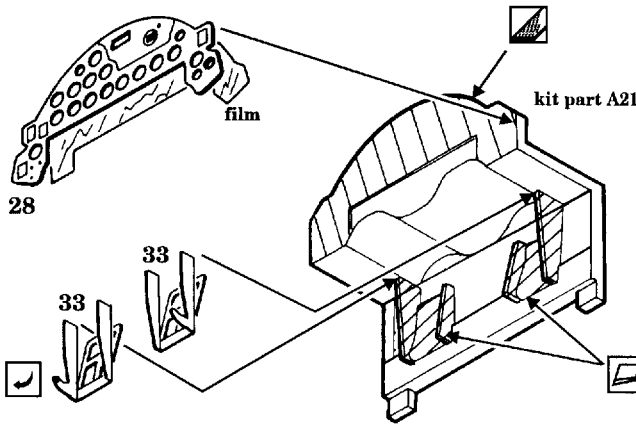
A-1H SKYRAIDER

1/48 scale detail set for TAMIYA kit

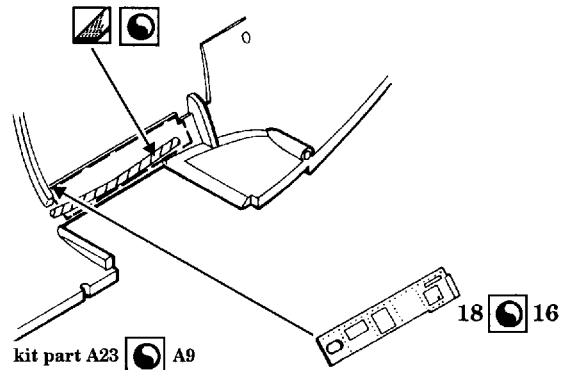


-  OPPOSITE SIDE
-  REMOVE
-  BEND
-  REPLACE
-  GRIND

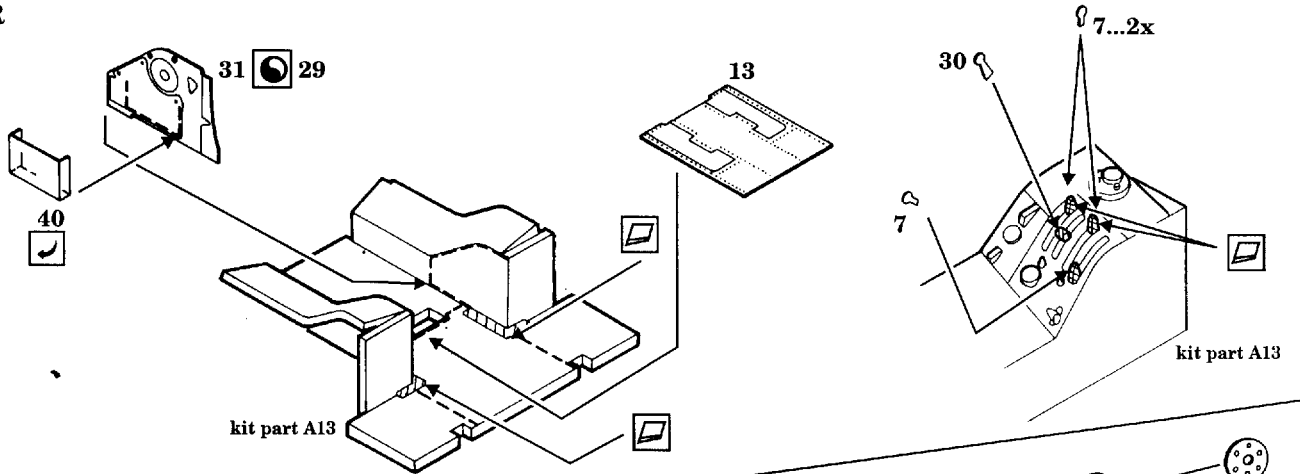
INSTRUMENT PANEL & RUDDER PEDALS



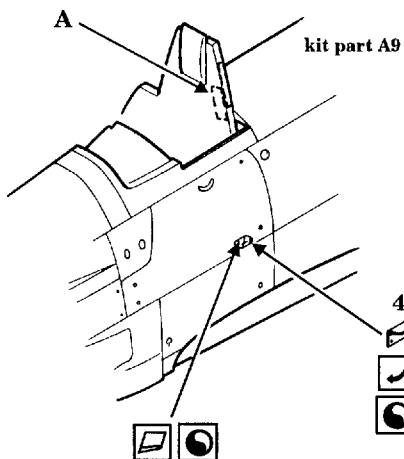
COCKPIT SIDE WALLS



FLOOR



A & PILOT'S SEAT



LATER TYPE BELTS

