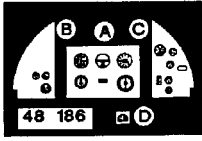
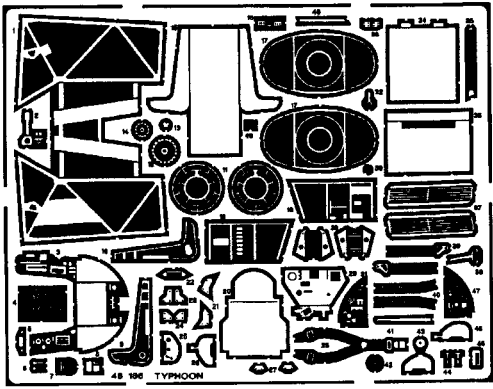









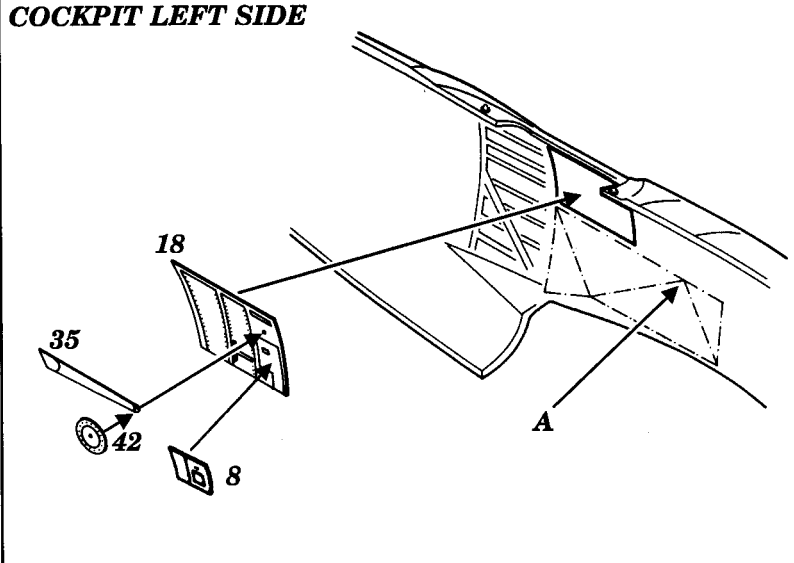
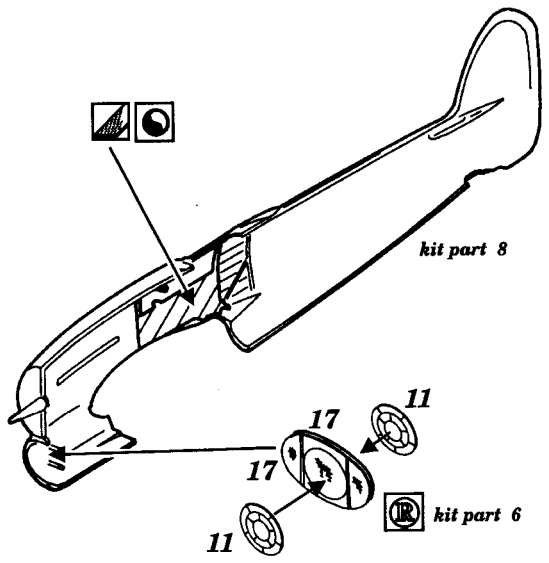
HAWKER TYPHOON

1/48 scale detail set for MONOGRAM kit

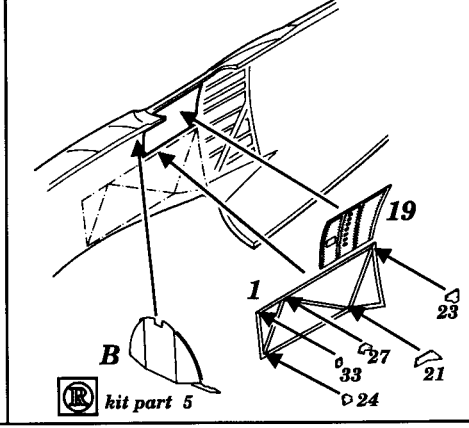
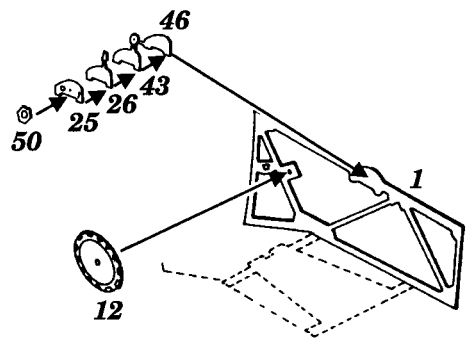
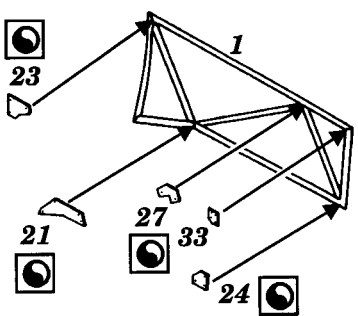


-  OPPOSITE SIDE
-  REMOVE
-  BEND
-  REPLACE
-  GRIND

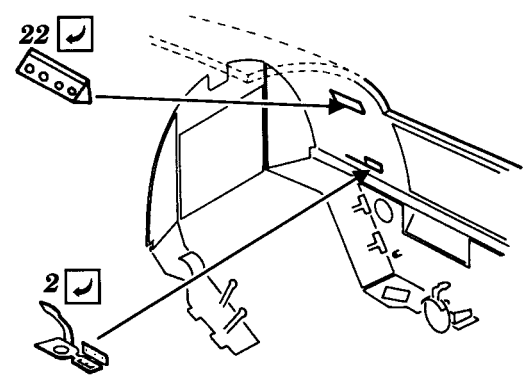
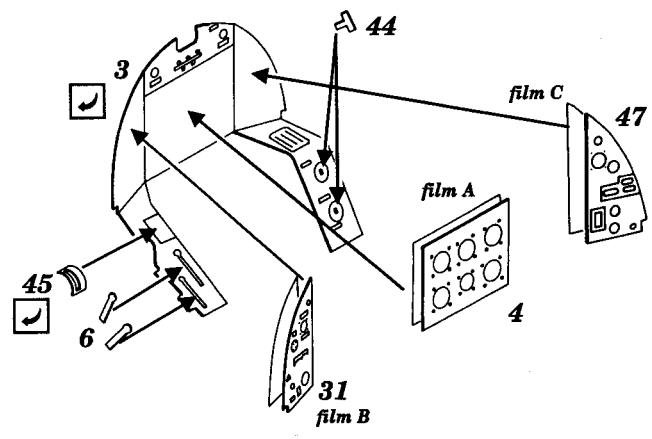
COCKPIT LEFT SIDE



A ATTENTION
pt no.1 could be used as a stencil
for plastic rods ϕ 0.8 mm



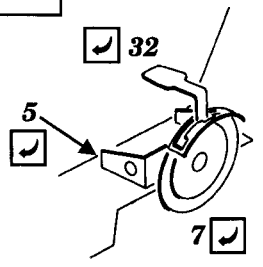
B INSTRUMENT PANEL



COCKPIT RIGHT SIDE AND FLOOR

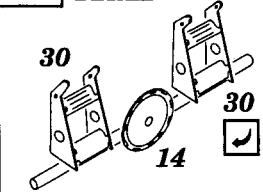


C

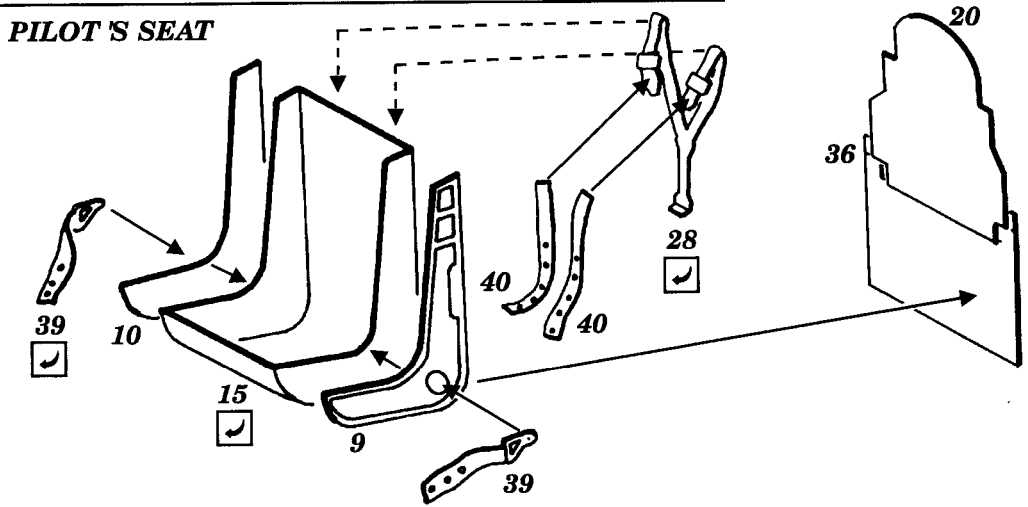


D

RUDDER PEDALS DETAIL



PILOT'S SEAT



ASSEMBLED SEAT

