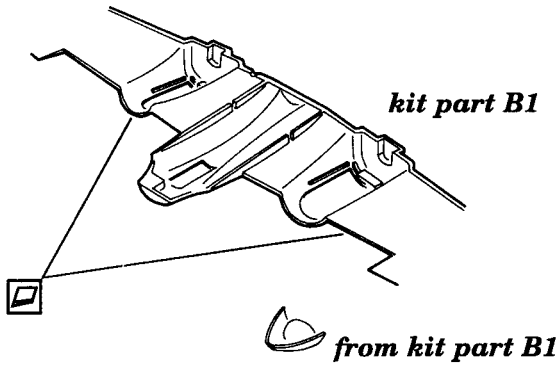
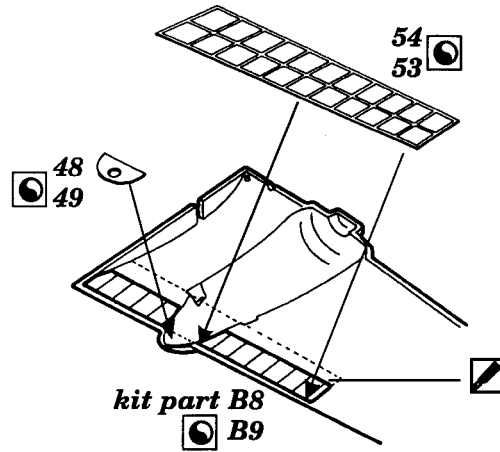


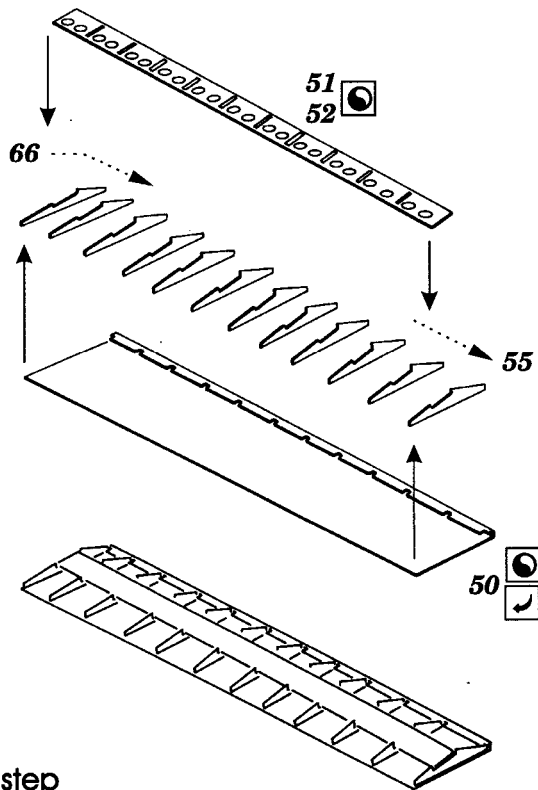
D FLAPS



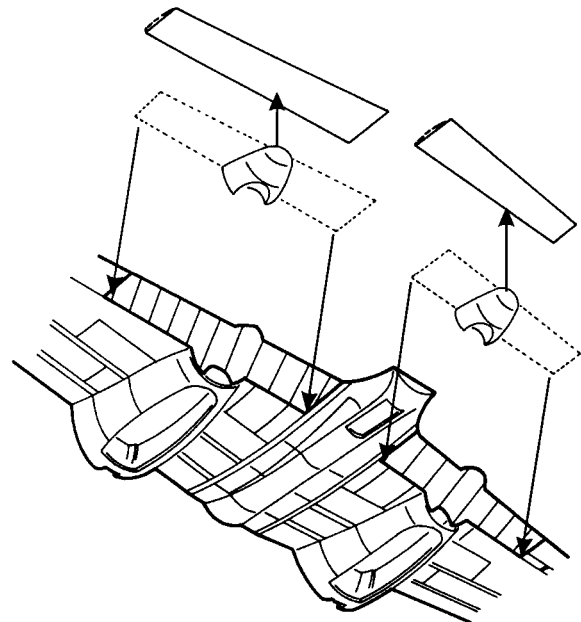
1st step



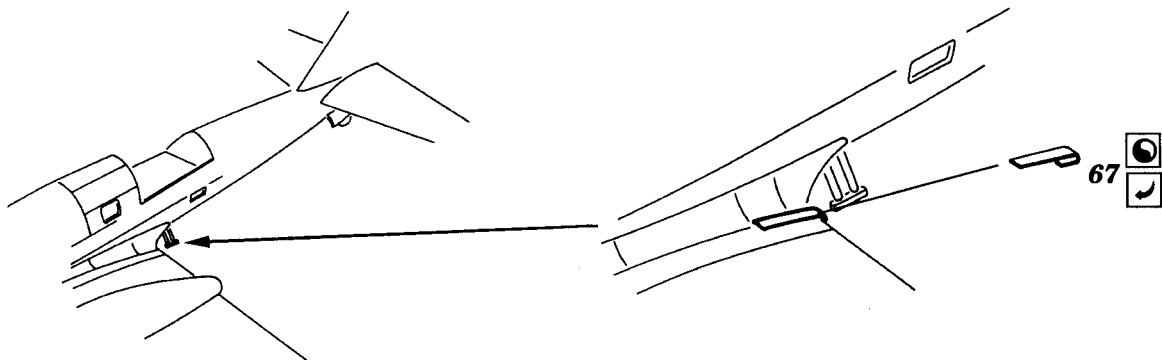
2nd step



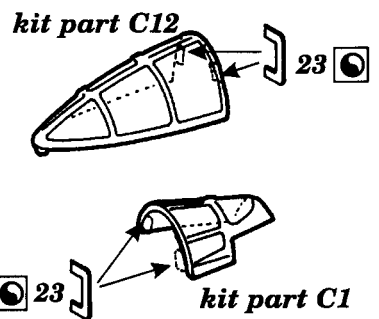
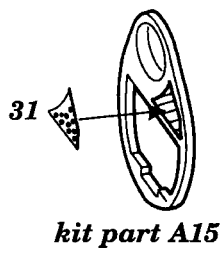
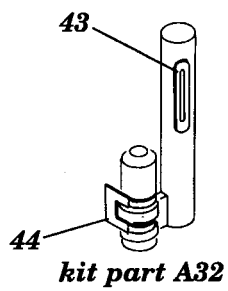
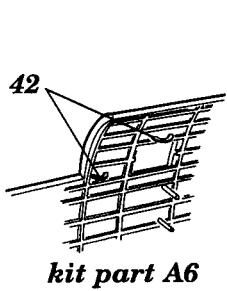
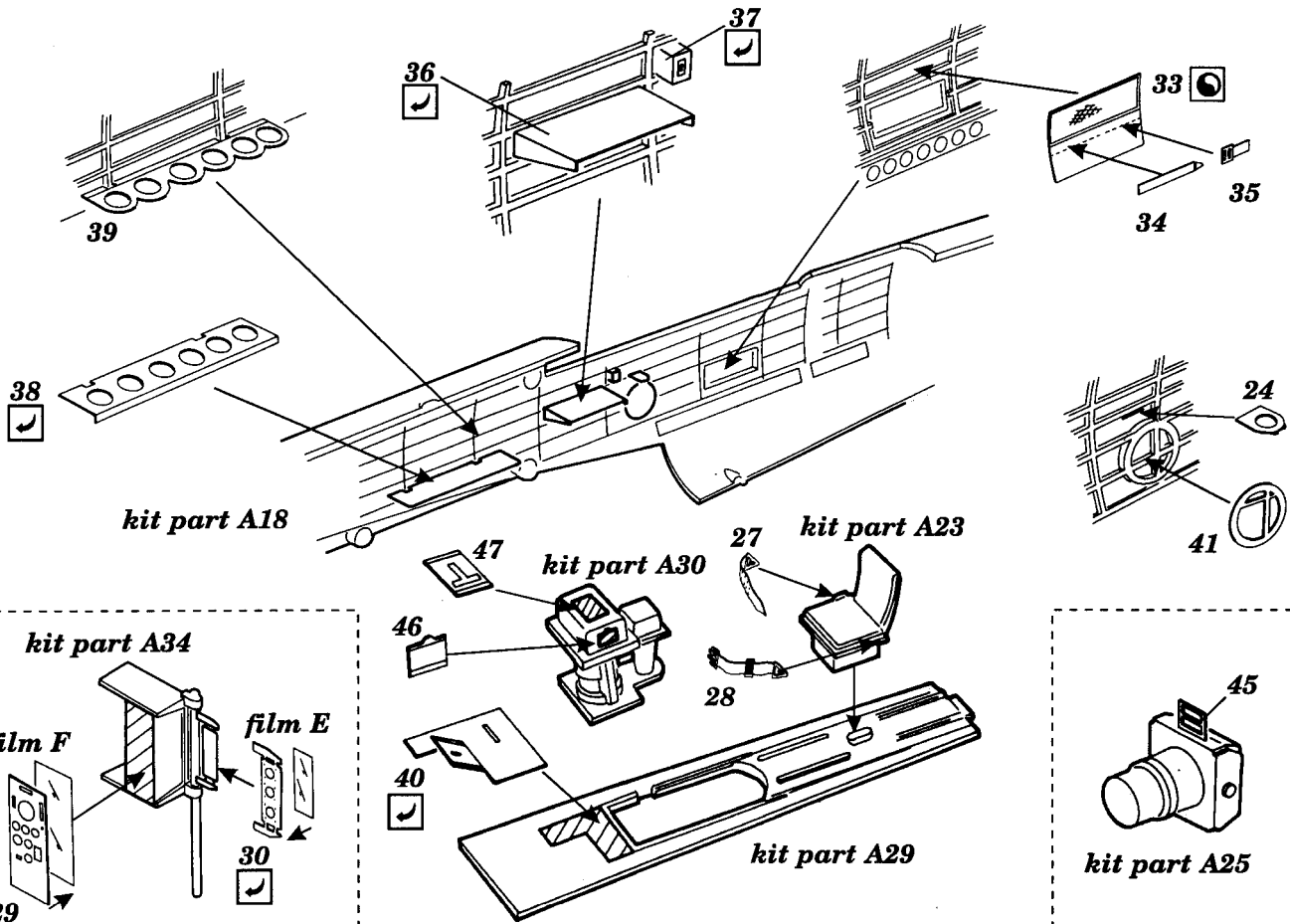
3rd step



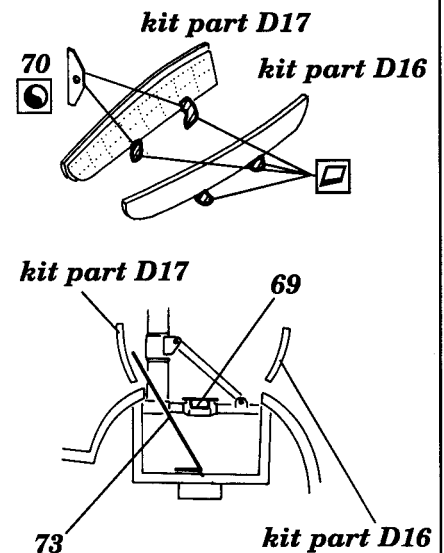
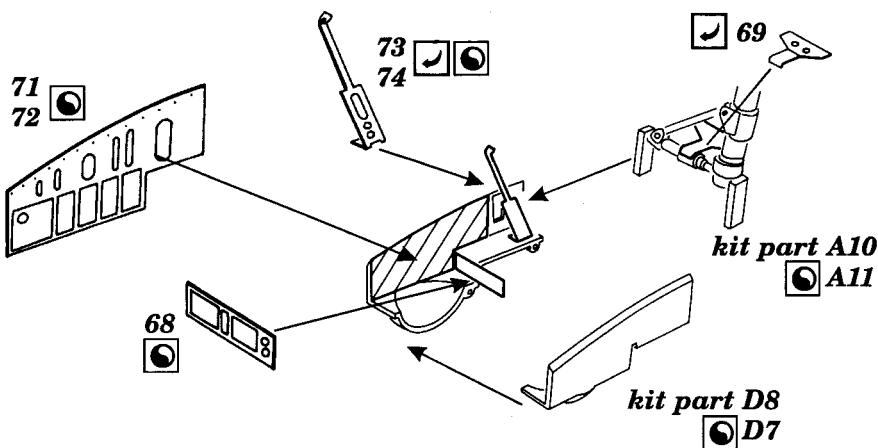
4th step



B OPERATOR'S POSITION



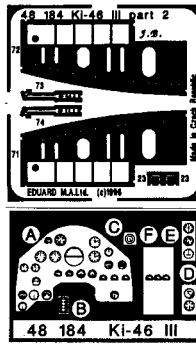
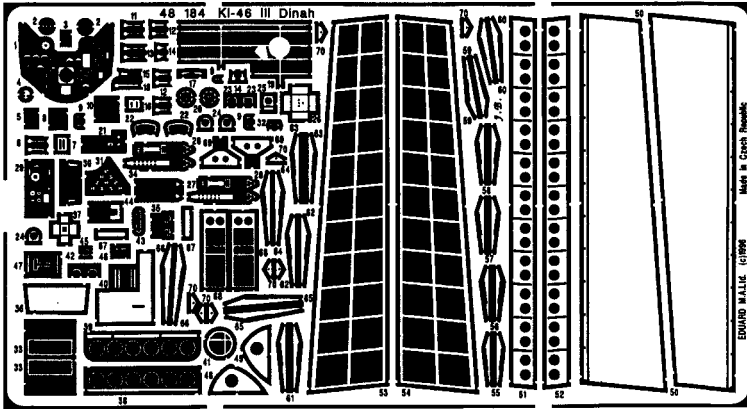
C UNDERCARRIAGE










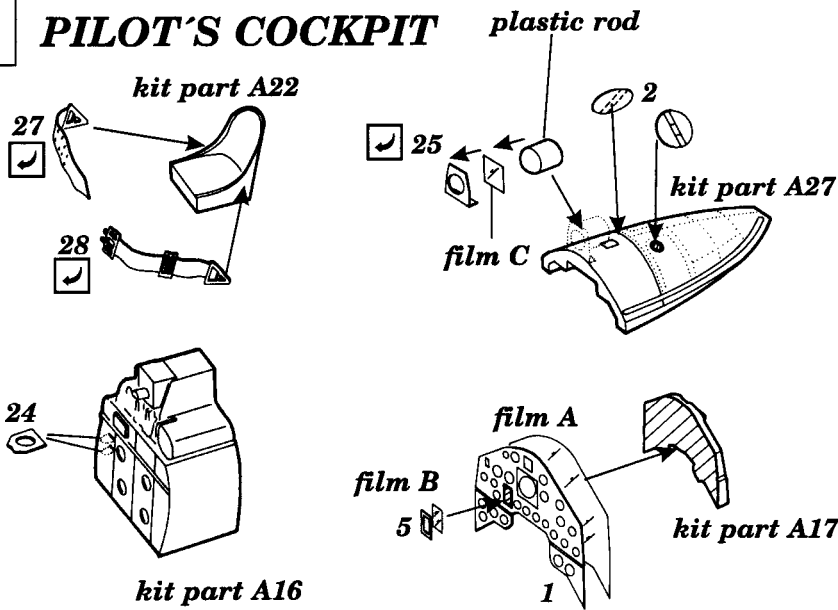
Ki-46 III Dinah

1/48 scale detail set for Tamiya kit

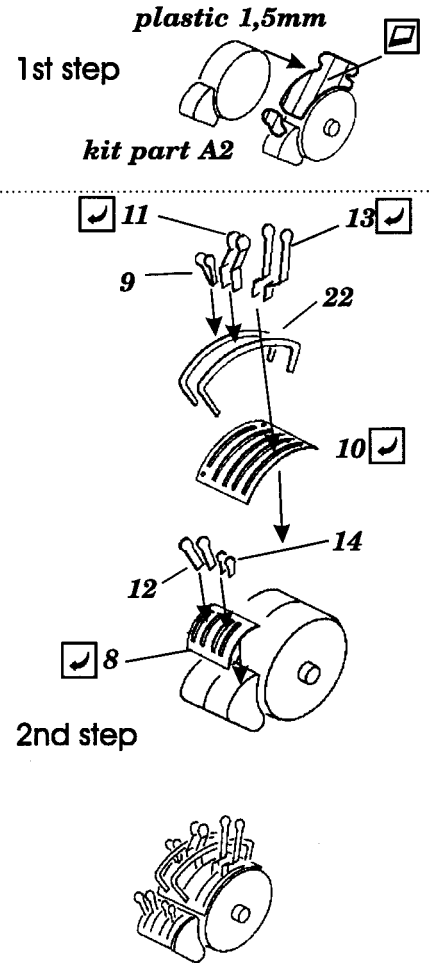


-  OPPOSITE SIDE
-  REMOVE
-  BEND
-  REPLACE
-  GRIND

A PILOT'S COCKPIT



LEFT SIDE



RIGHT SIDE

