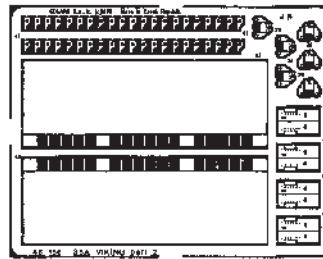
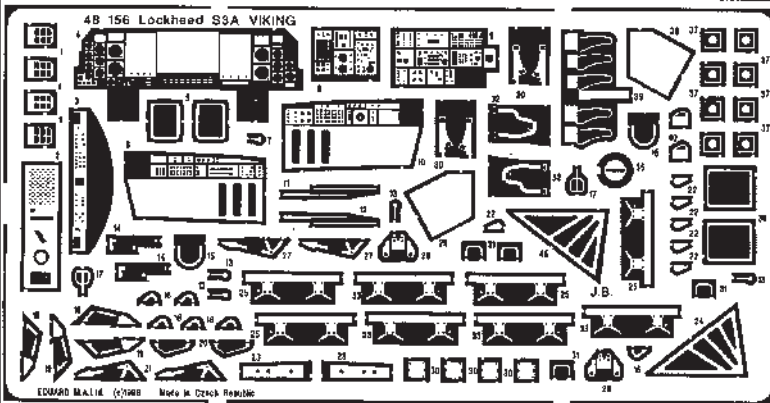




S-3B

1/48 scale detail set for AMT/Ertl kit

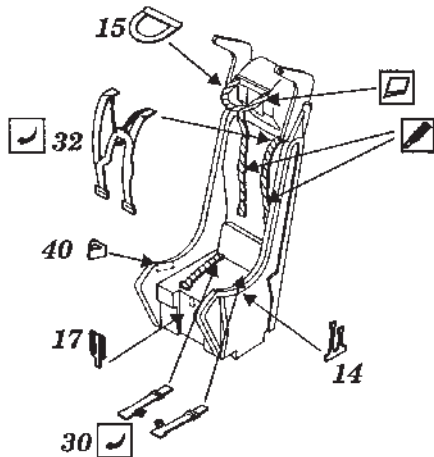
48 156



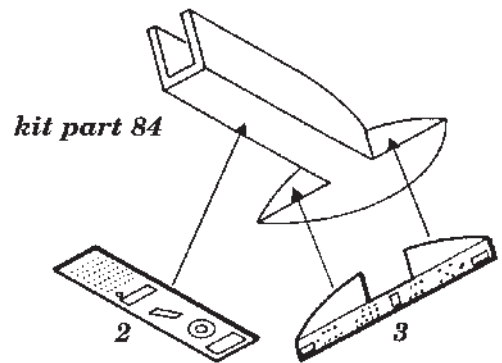
- OPPOSITE SIDE
- REMOVE
- BEND
- REPLACE
- GRIND



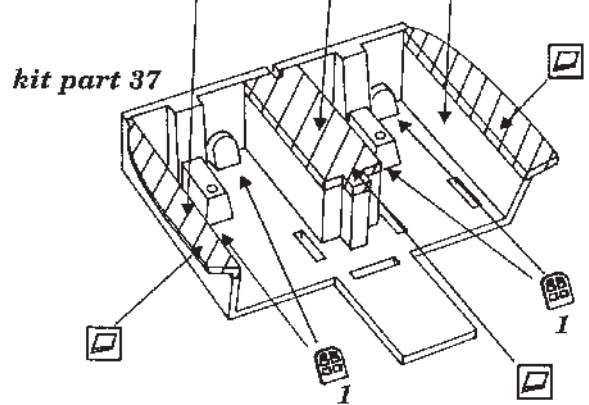
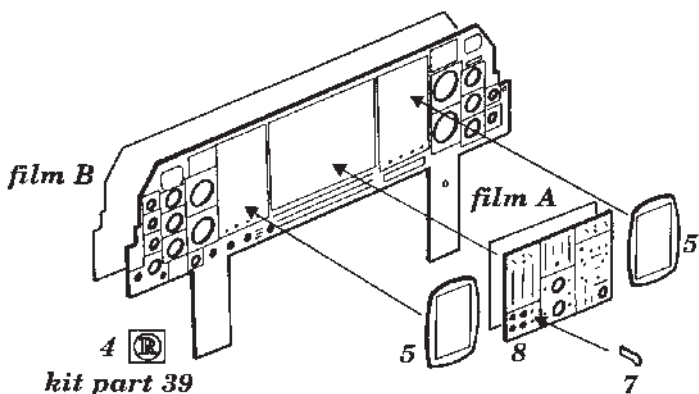
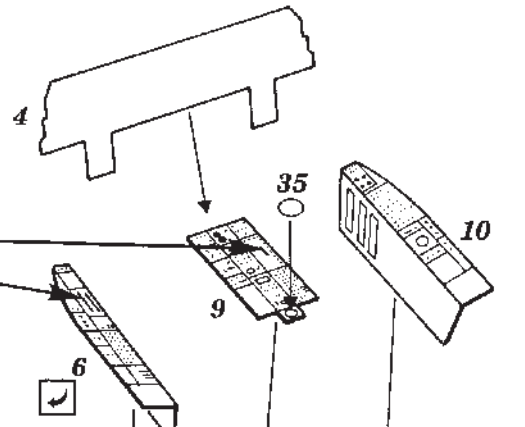
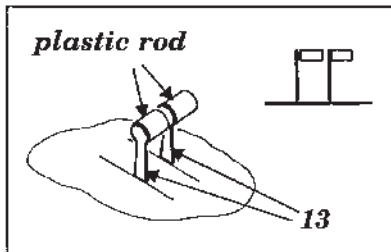
A EJECTION SEAT



B INSTRUMENT PANEL

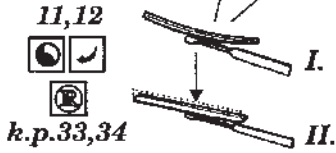
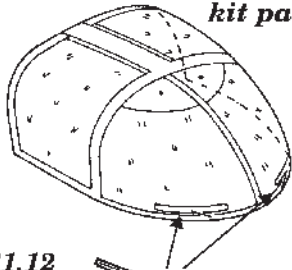


C COCKPIT



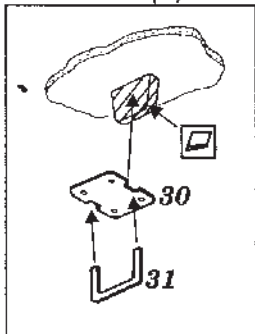
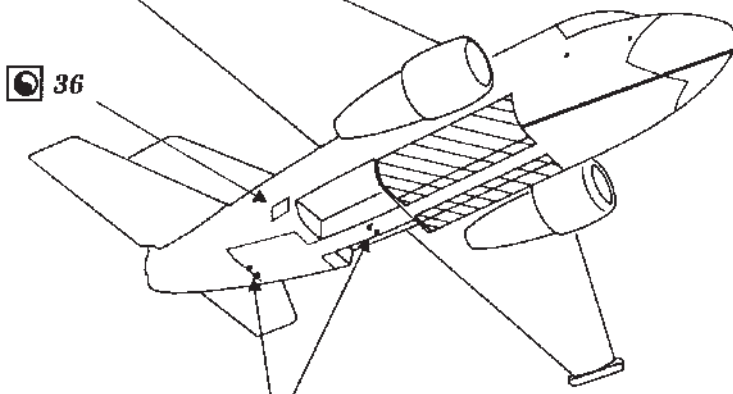
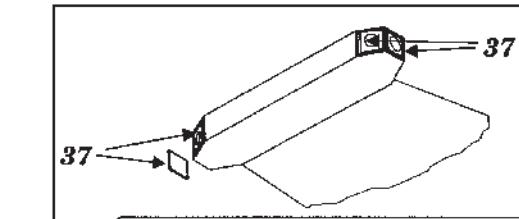
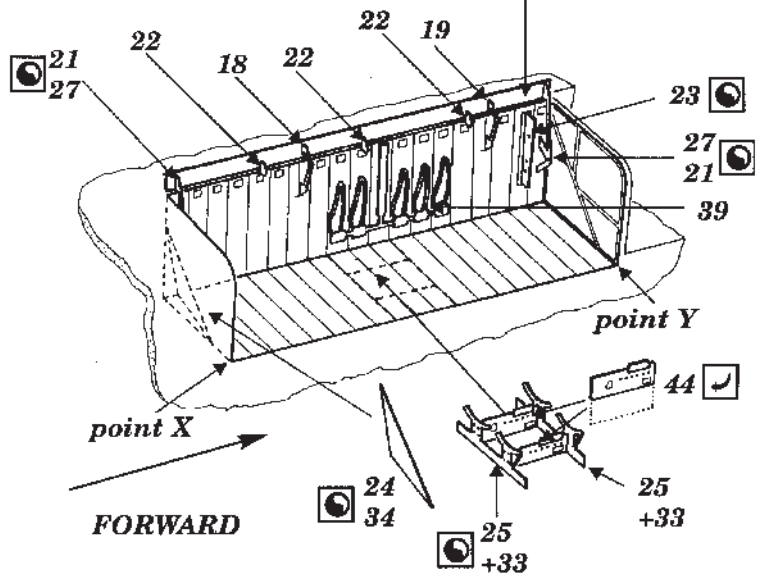
D CANOPY

kit part 104

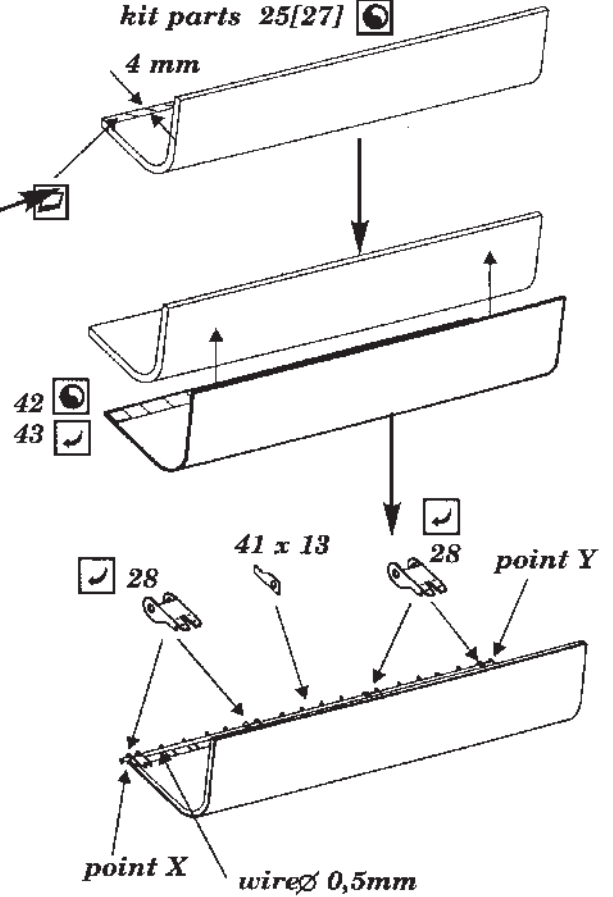


E BOMB BAY + EXTERIOR

kit part 26[28]



kit parts 25[27]



F MAIN UNDERCARRIAGE WELL

