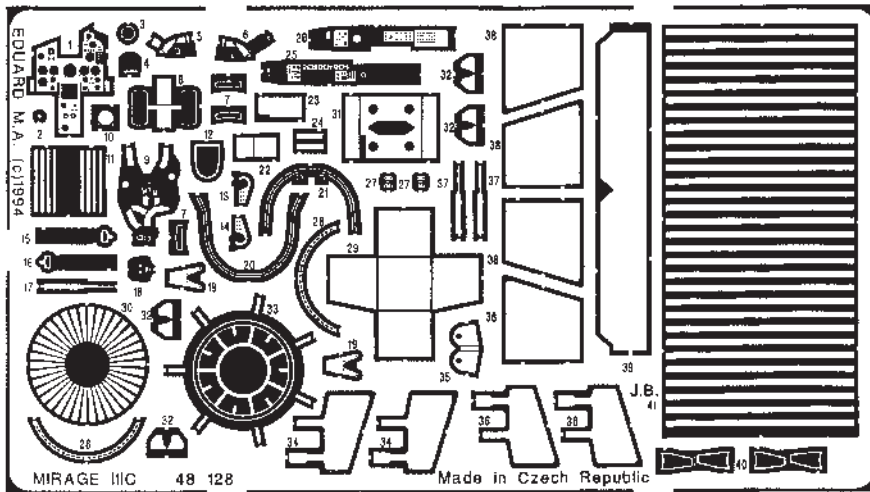




MIRAGE III C

1/48 scale detail set for Heller kit

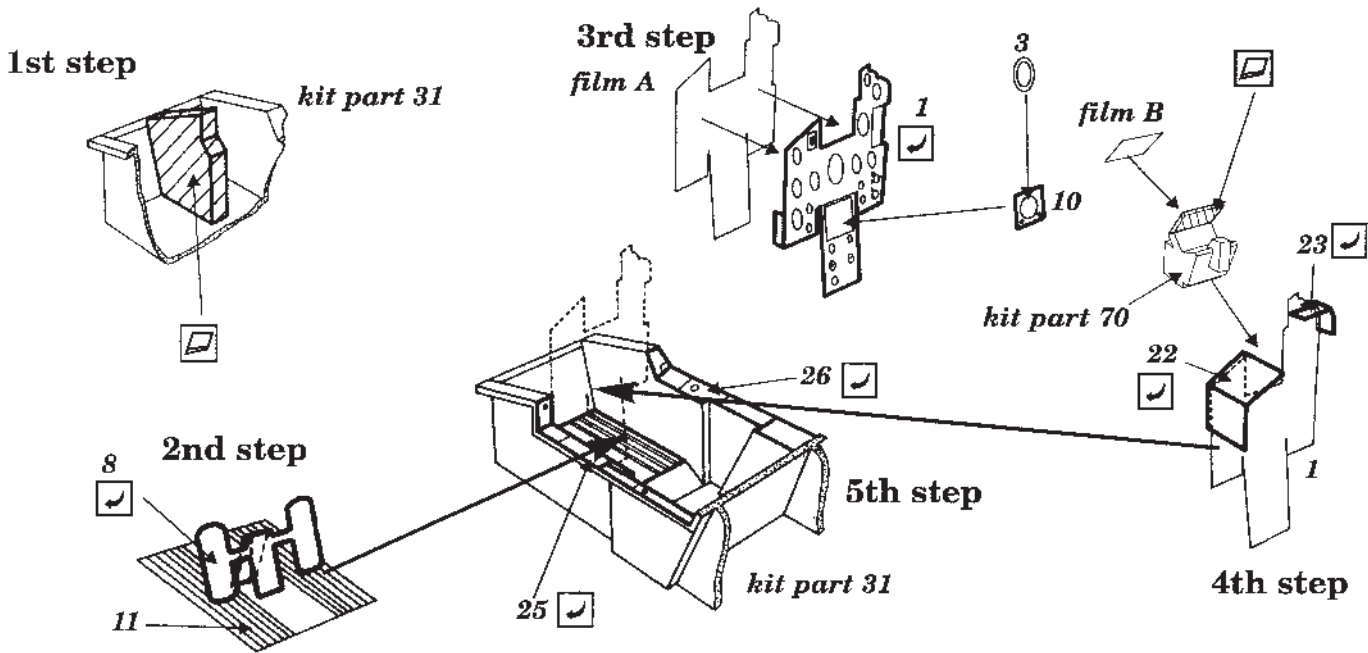
48 128



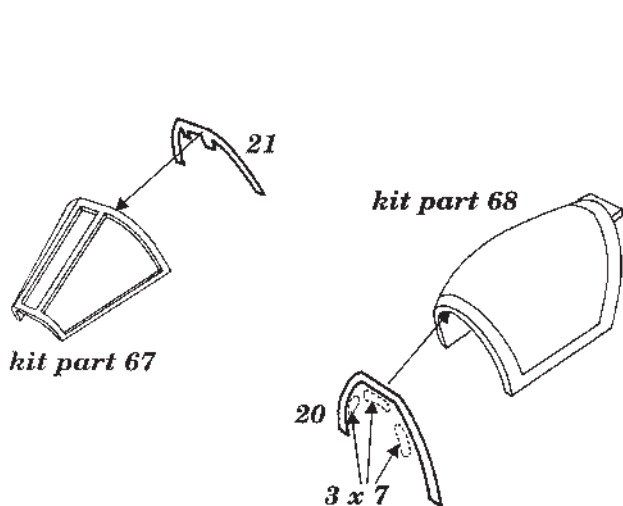
- OPPOSITE SIDE
- REMOVE
- BEND
- REPLACE



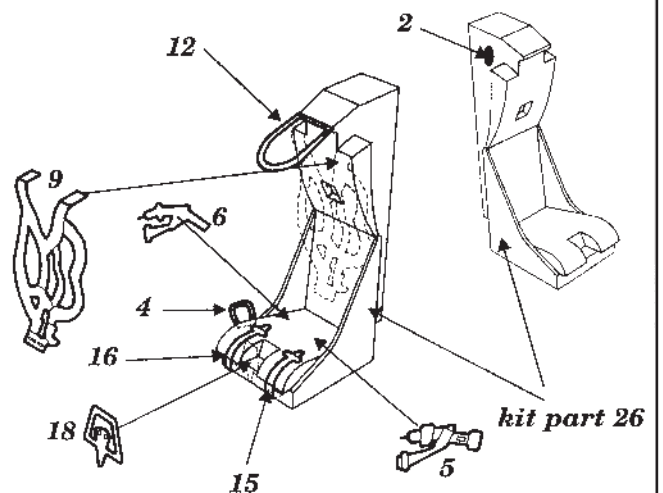
A COCKPIT -INTERIOR



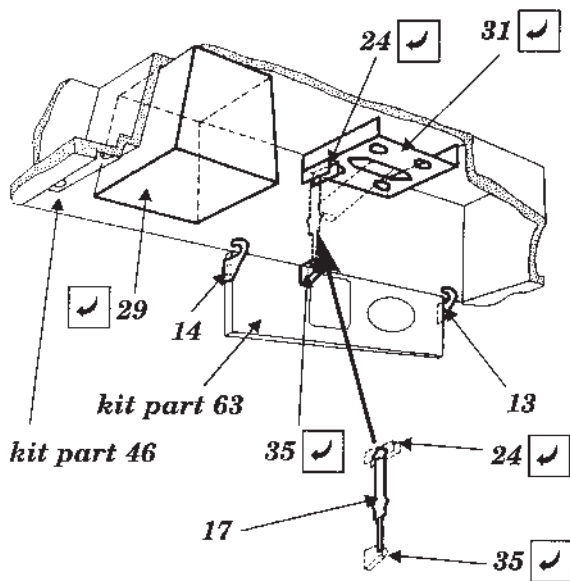
B CANOPY + WINDSHIELD



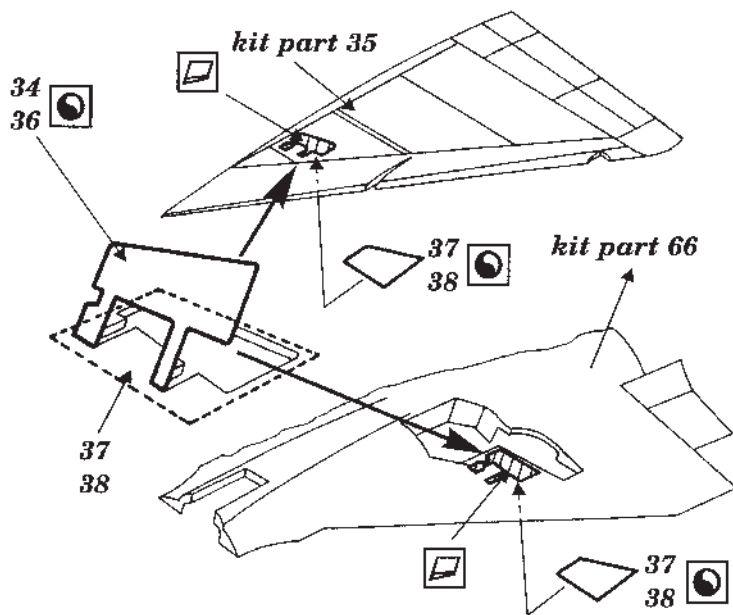
C EJECTION SEAT



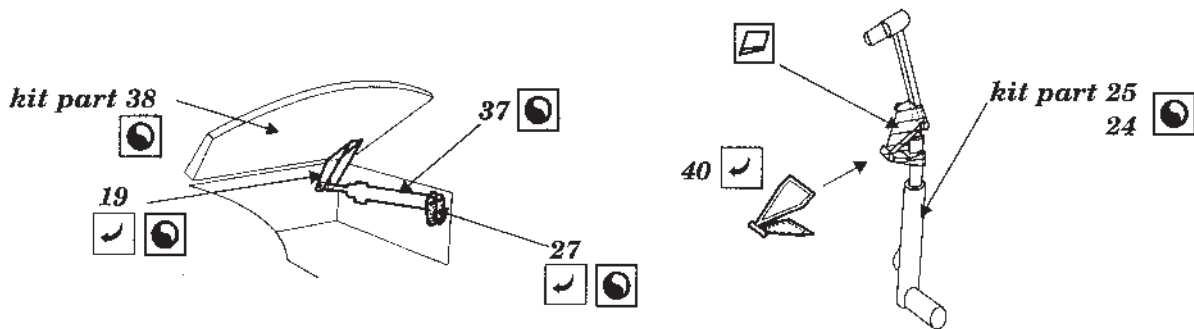
D NOSE GEAR WELL



E AIR BRAKES



F MAIN UNDERCARRIAGE



G ENGINE

