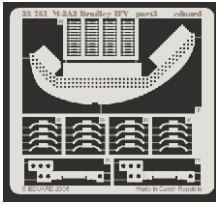
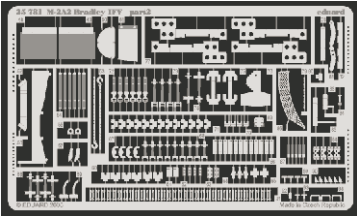
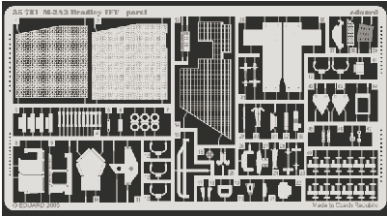




# M-2A2 Bradley IFV

1/35 scale detail set for Tamiya kit 35 152 • sada detailů pro model 1/35 Tamiya 35 152

**35 781**



Film

- ★ APPLY EXPRESS MASK AND PAINT BEFORE GLUING  
POUŽIT EXPRESS MASK NABARVIT PŘED SLEPENÍM
- ☉ SYMMETRICAL ASSEMBLY  
SYMETRICKÁ MONTÁŽ
- 🗑 REMOVE  
ODSTRANIT
- 🔪 GRIND  
OBROUSIT
- 🔪 DRILL HOLE  
VRTAT OTVOR
- ↩ BEND  
OHNOUT
- ❓ OPTION  
VOLBA
- Ⓜ REPLACE  
NAHRADIT

- ORIGINAL KIT PARTS  
PŮVODNÍ DÍLY STAVEBNICE
- PHOTO-ETCHED PARTS  
LEPTANÉ DÍLY
- PARTS TO BE REMOVED  
DÍLY K ODSTRANĚNÍ
- FILL  
TMELIT

**B 63, B 64, B 65**

**B 34, B 35**

**B 66**

**B 67**

**B 68**

**B 71**

**B 73**

**B 75**

**B 76**

**B 77**

**B 78**

**B 79**

**B 80**

**B 81**

**B 82**

**B 83**

**B 84**

**B 85**

**B 86**

**B 87**

**B 88**

**B 89**

**B 90**

**B 91**

**B 92**

**B 93**

**B 94**

**B 95**

**B 96**

**B 97**

**B 98**

**B 99**

**B 100**

*plastic*  
∅ = 0,4mm  
l = 1,5mm

**2 pcs A 43**

**A 43**

**B 13**

**B 14**

**B 15**

**B 16**

**B 17**

**B 18**

**B 19**

**B 20**

**B 21**

**B 22**

**B 23**

**B 24**

**B 25**

**B 26**

**B 27**

**B 28**

**B 29**

**B 30**

**B 31**

**B 32**

**B 33**

**B 34**

**B 35**

**B 36**

**B 37**

**B 38**

**B 39**

**B 40**

**B 41**

**B 42**

**B 43**

**B 44**

**B 45**

**B 46**

**B 47**

**B 48**

**B 49**

**B 50**

**B 51**

**B 52**

**B 53**

**B 54**

**B 55**

**B 56**

**B 57**

**B 58**

**B 59**

**B 60**

**B 61**

**B 62**

**B 63**

**B 64**

**B 65**

**B 66**

**B 67**

**B 68**

**B 69**

**B 70**

**B 71**

**B 72**

**B 73**

**B 74**

**B 75**

**B 76**

**B 77**

**B 78**

**B 79**

**B 80**

**B 81**

**B 82**

**B 83**

**B 84**

**B 85**

**B 86**

**B 87**

**B 88**

**B 89**

**B 90**

**B 91**

**B 92**

**B 93**

**B 94**

**B 95**

**B 96**

**B 97**

**B 98**

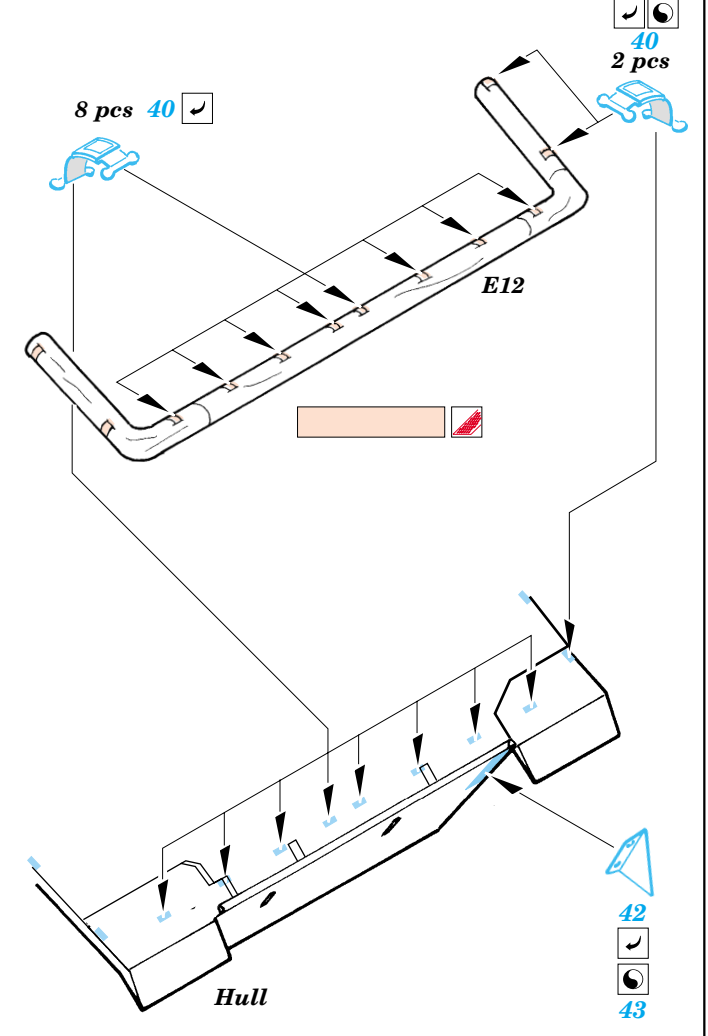
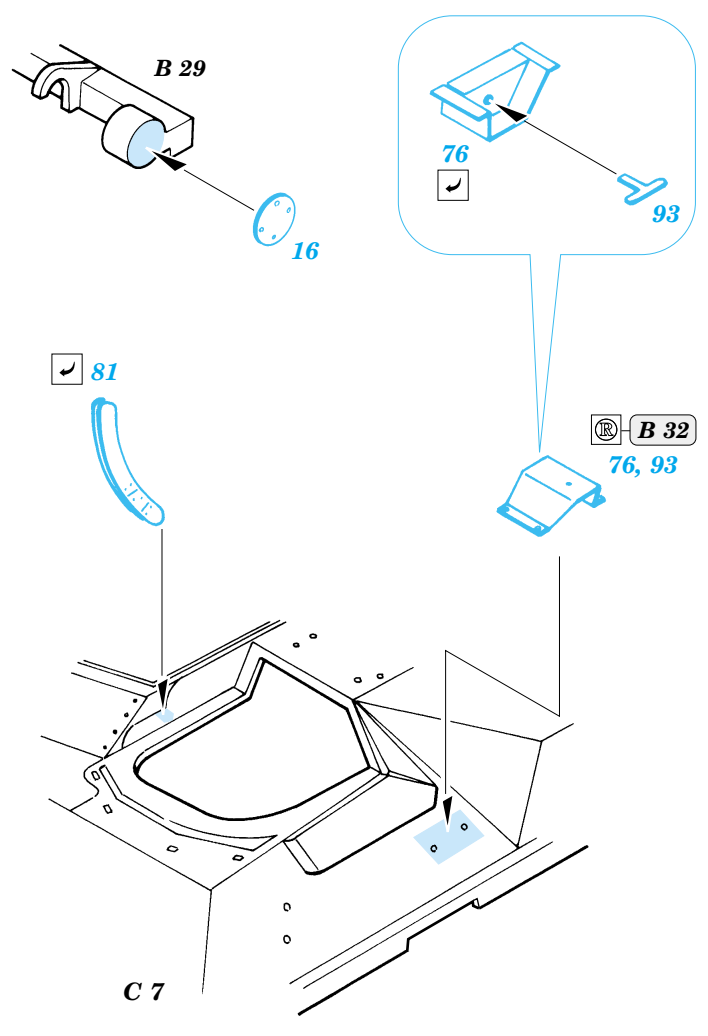
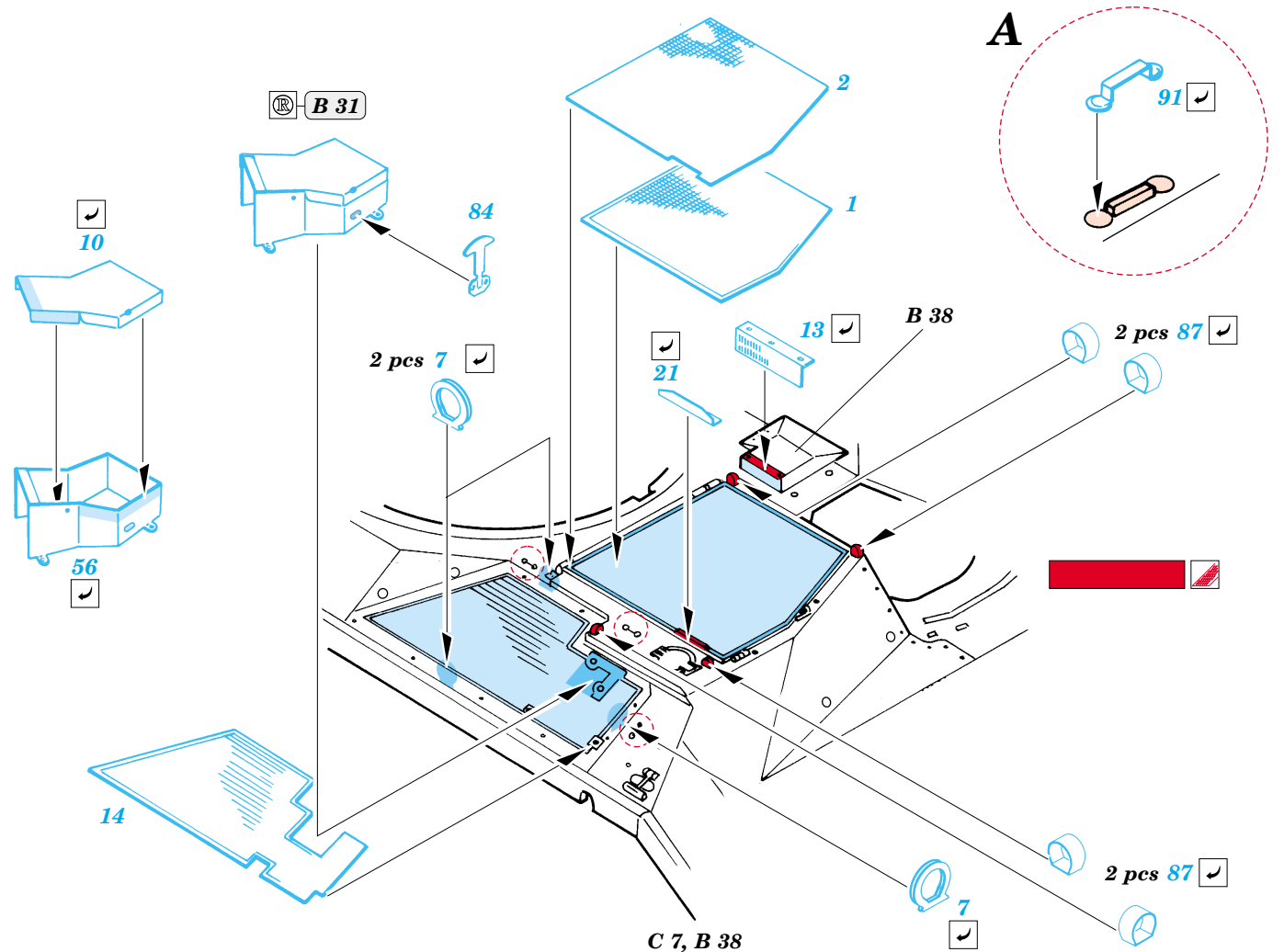
**B 99**

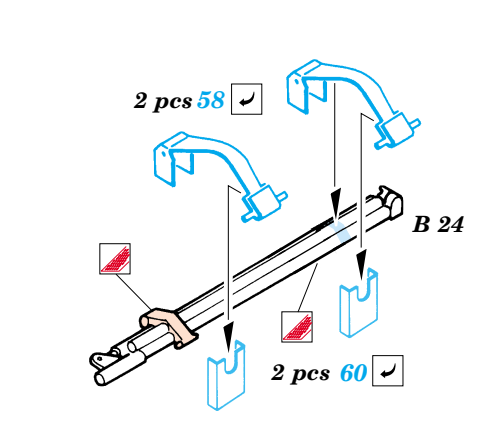
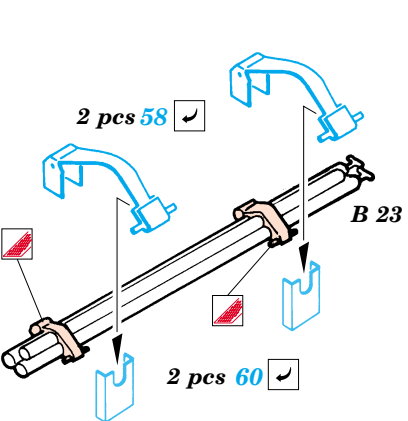
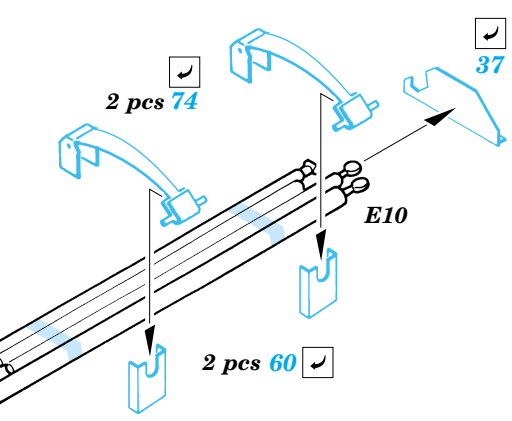
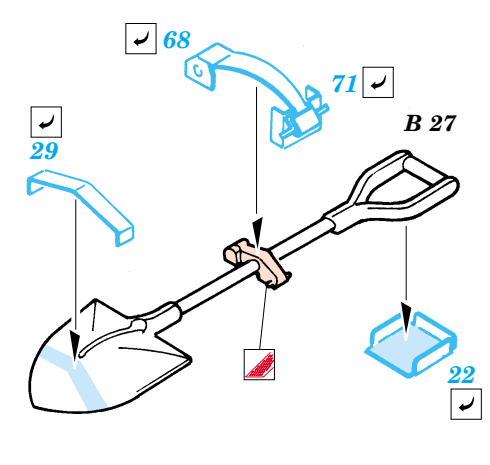
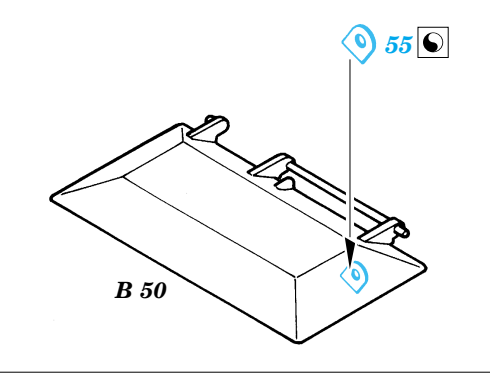
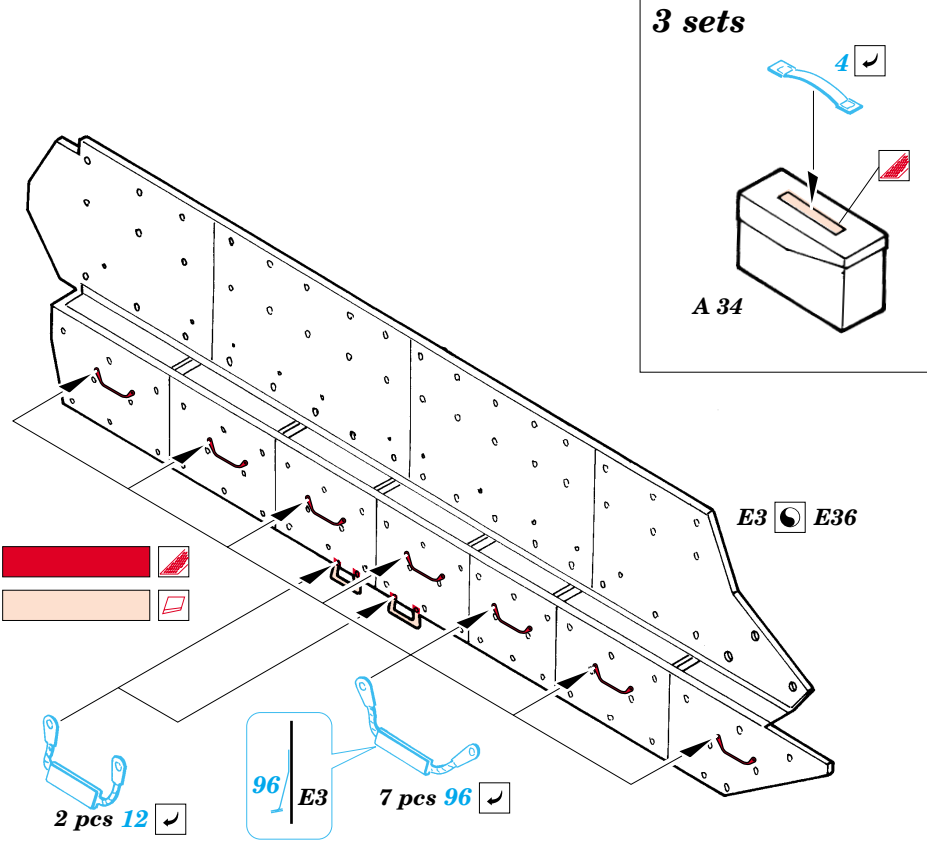
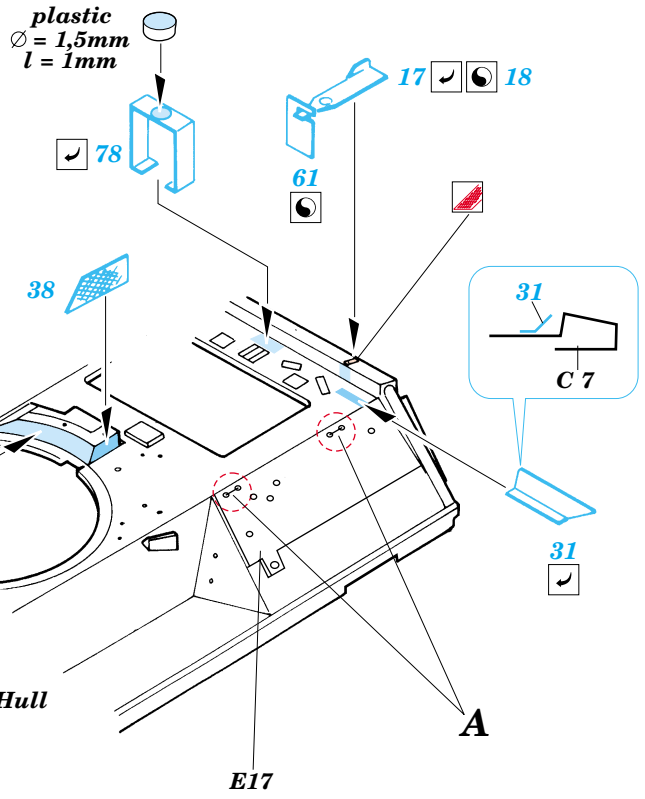
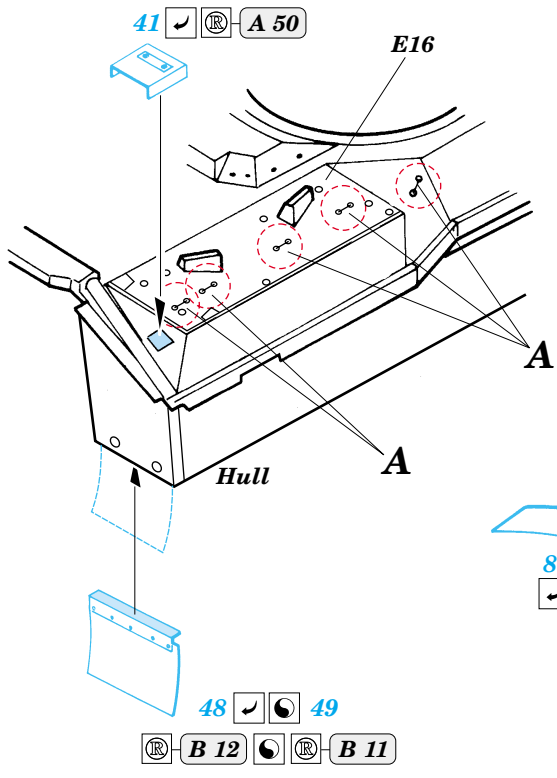
**B 100**

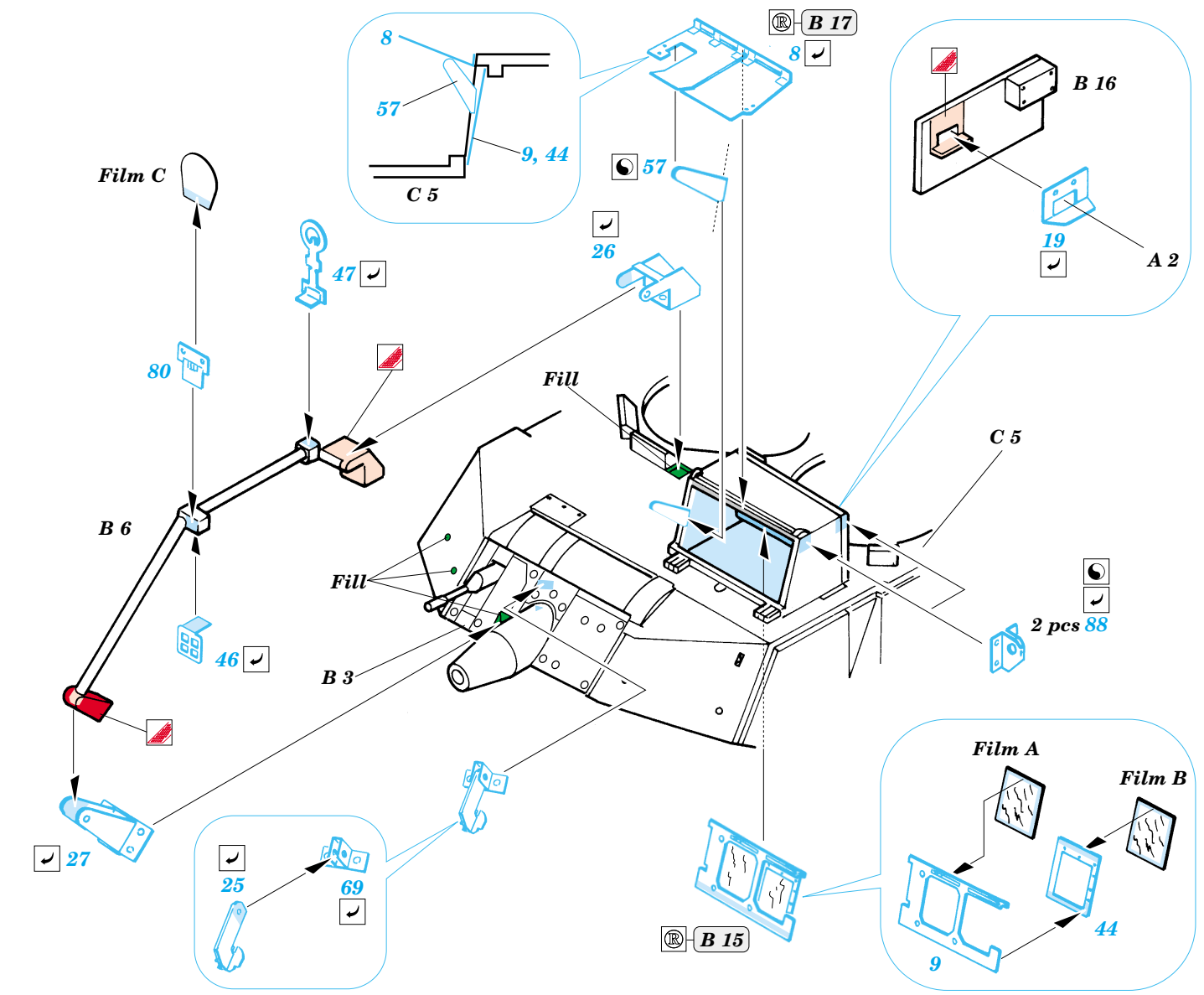
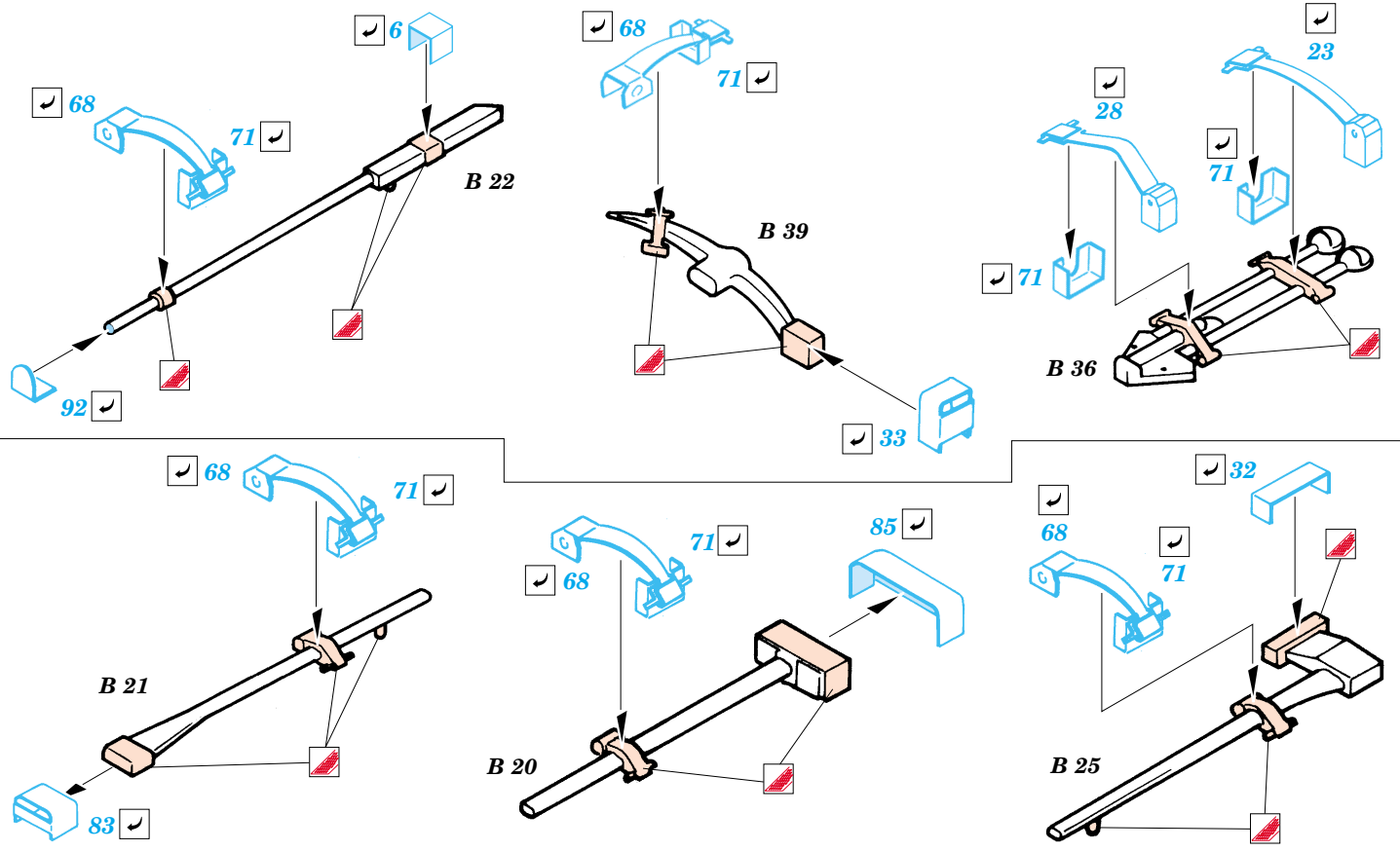
**E28**

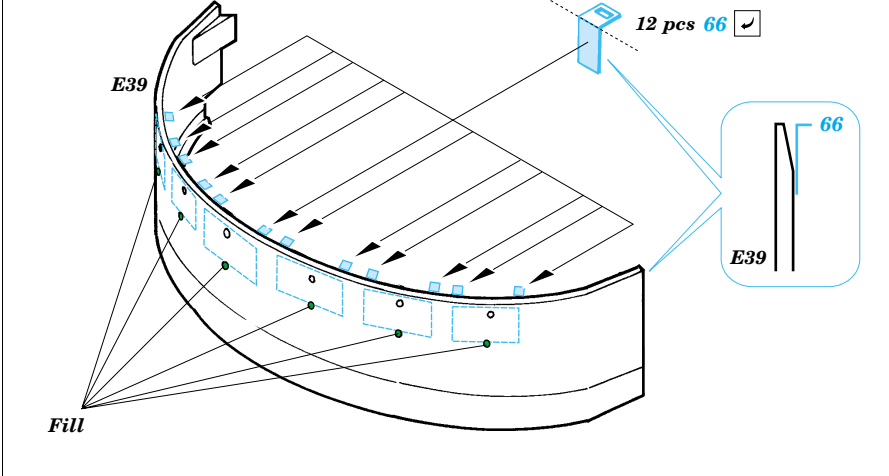
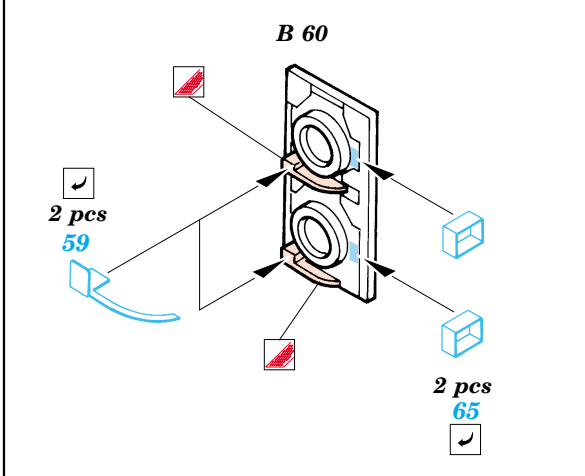
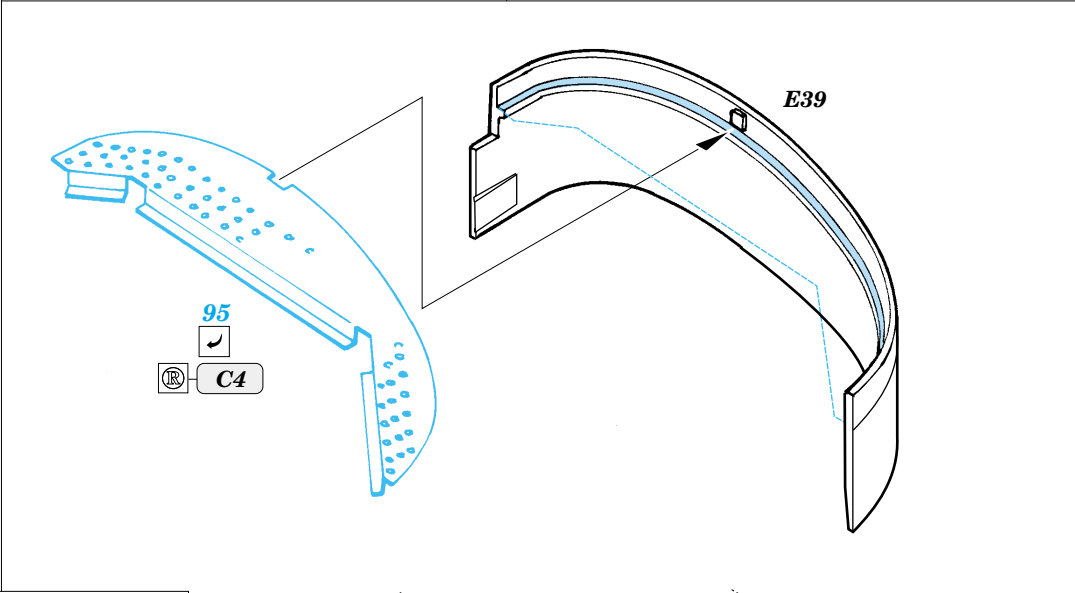
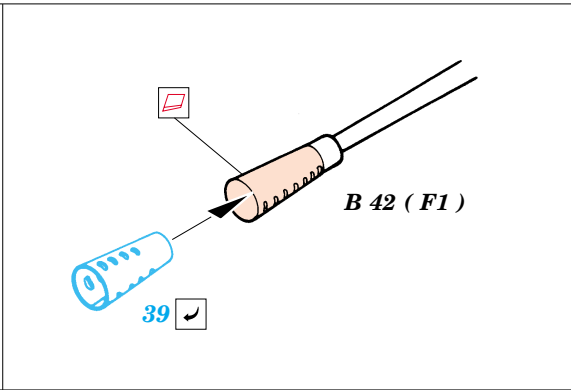
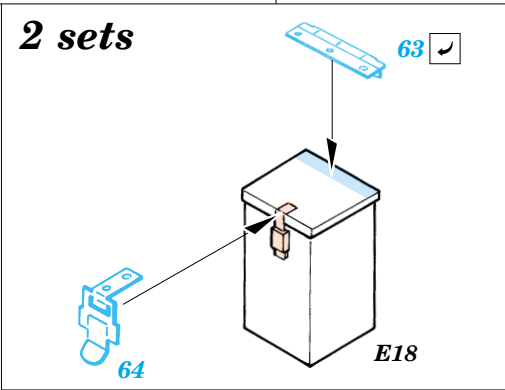
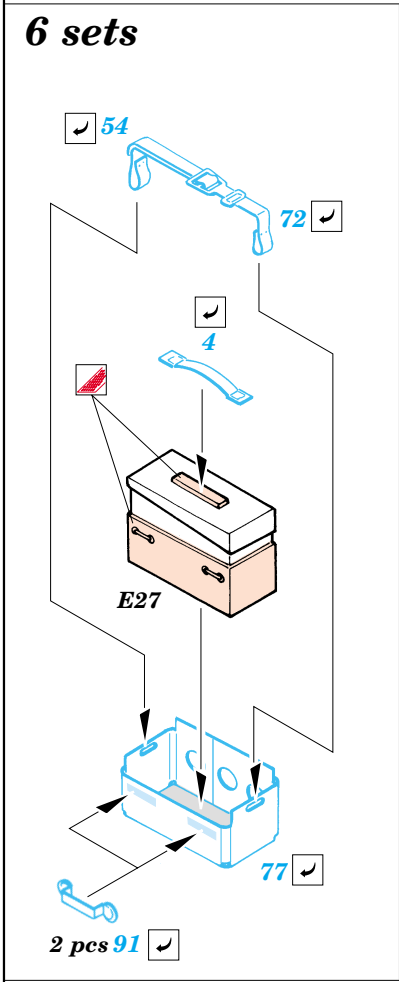
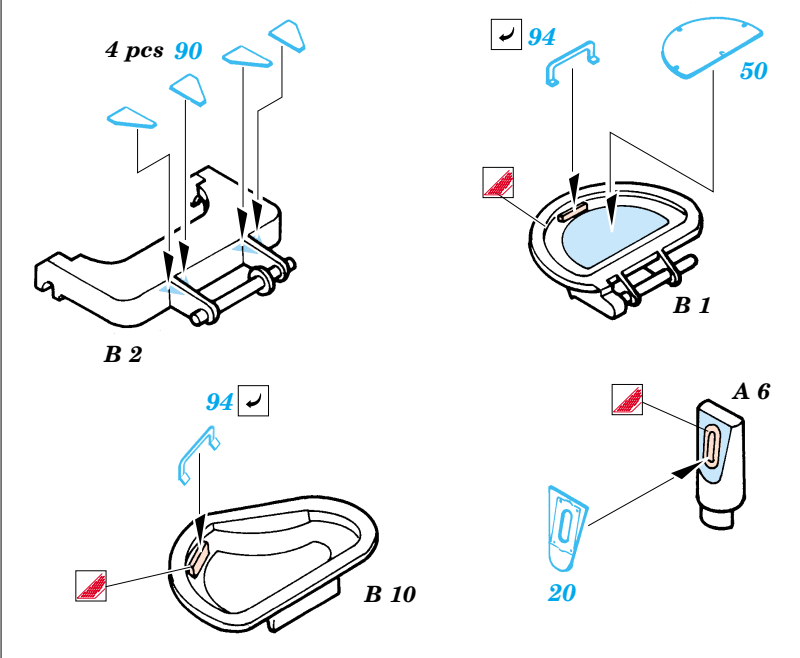
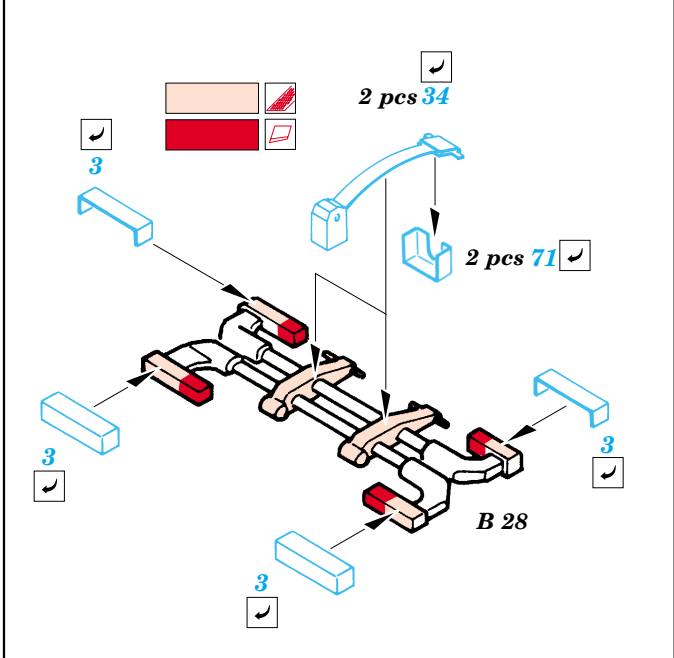
3mm

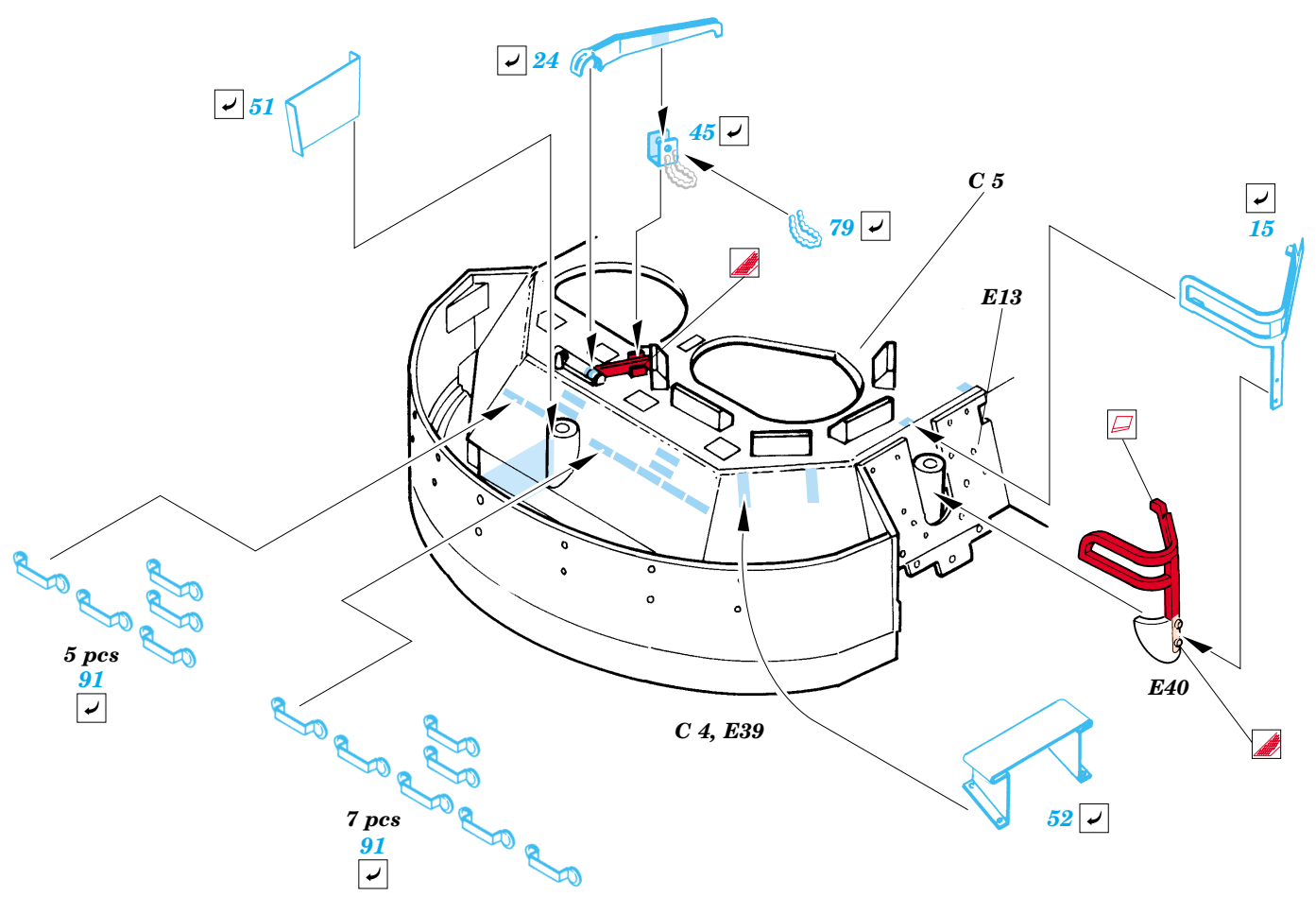
3mm



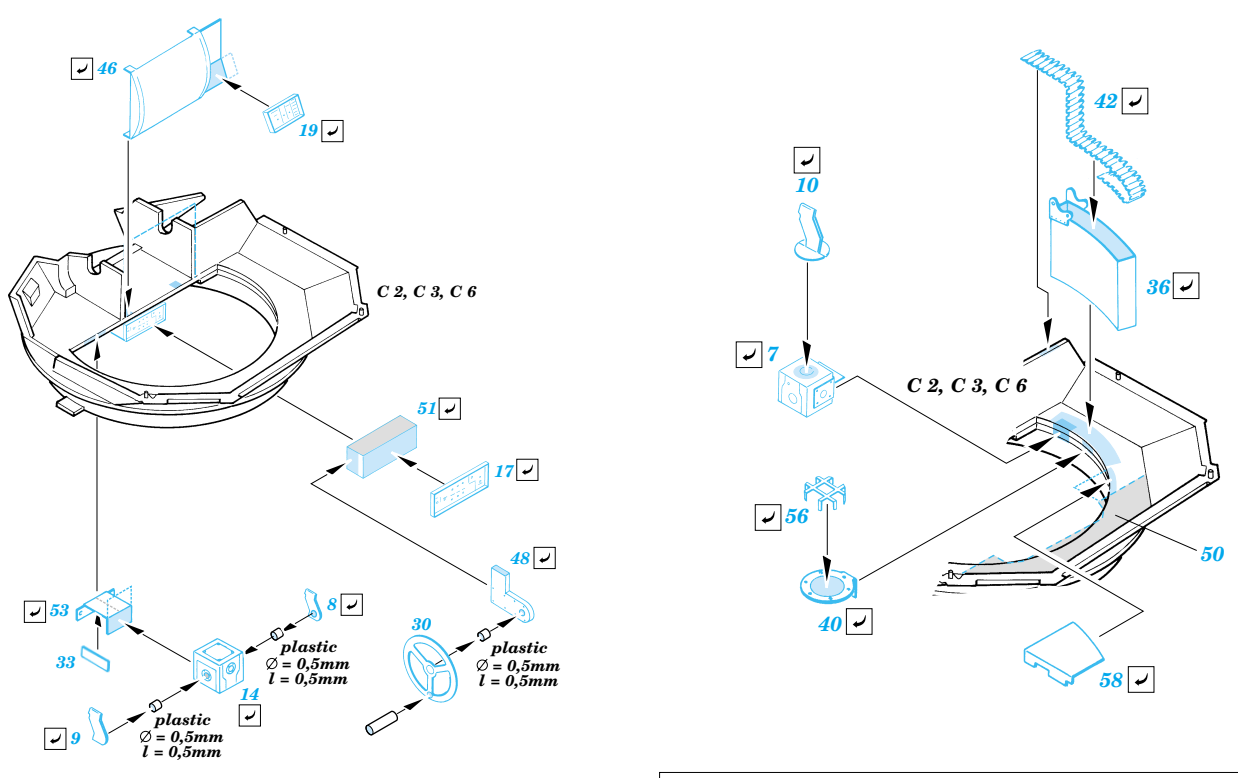






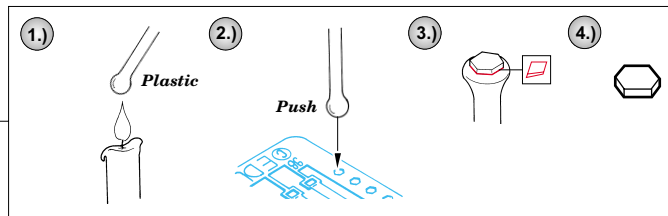


*For further detail sets look for **eduard** 35 613 M-2 Bradley turret interior (not included in this set)*



plastic  
 $\varnothing = 0,5mm$   
 $l = 0,5mm$

plastic  
 $\varnothing = 0,5mm$   
 $l = 0,5mm$



References : Concord Publ. No.1010 - M2/M3 Bradley  
 Verlinden Publ. - Warmachines No.5 - M2/M3 Bradley  
 Panzer 10/2002