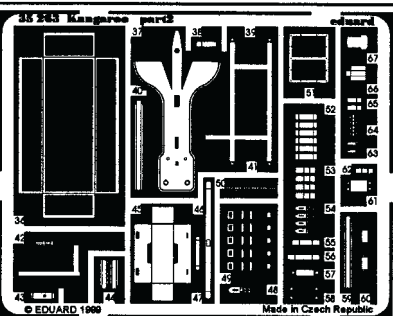
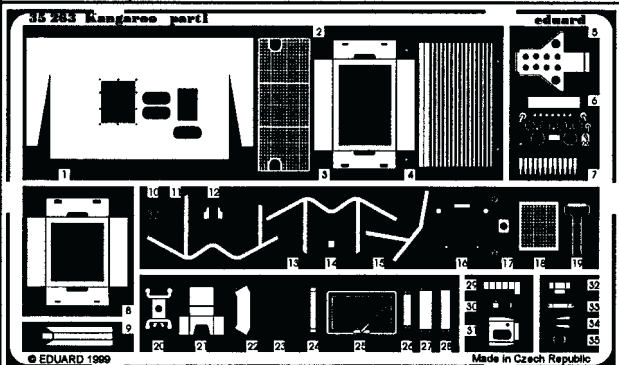


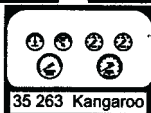


Kangaroo

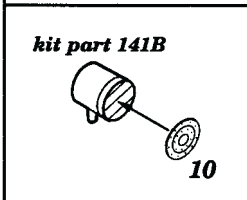
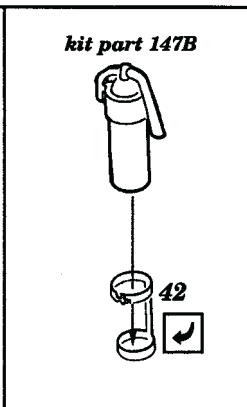
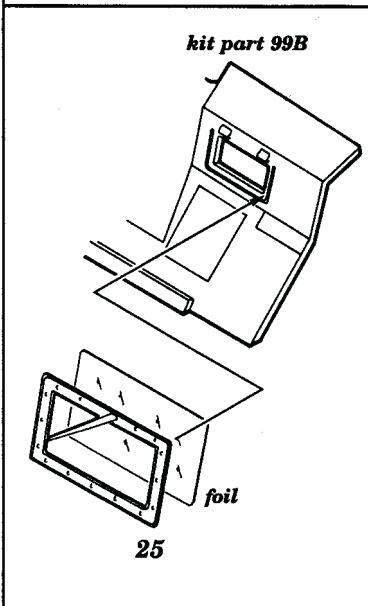
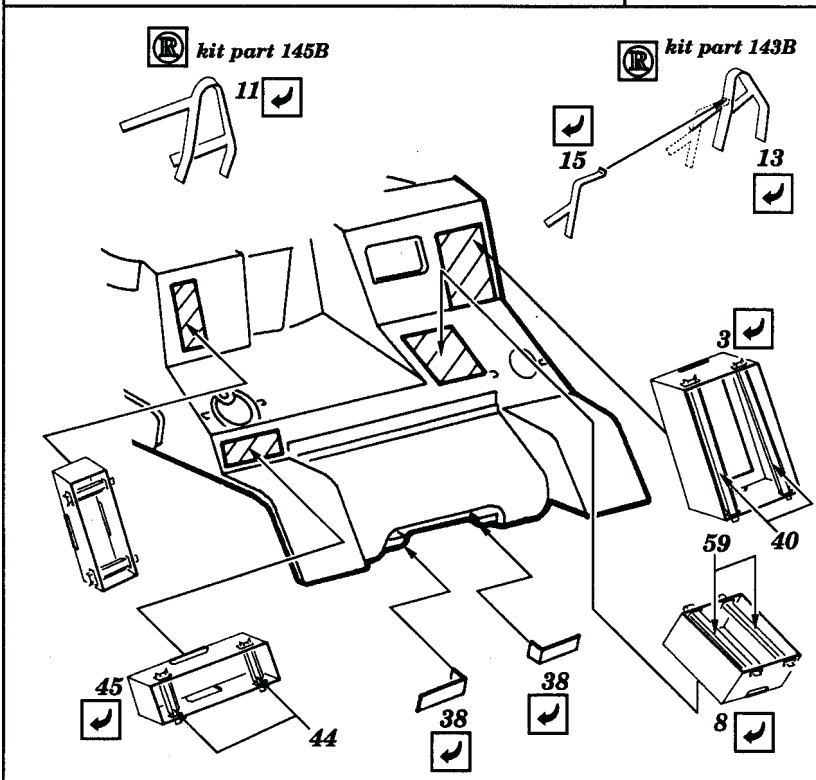
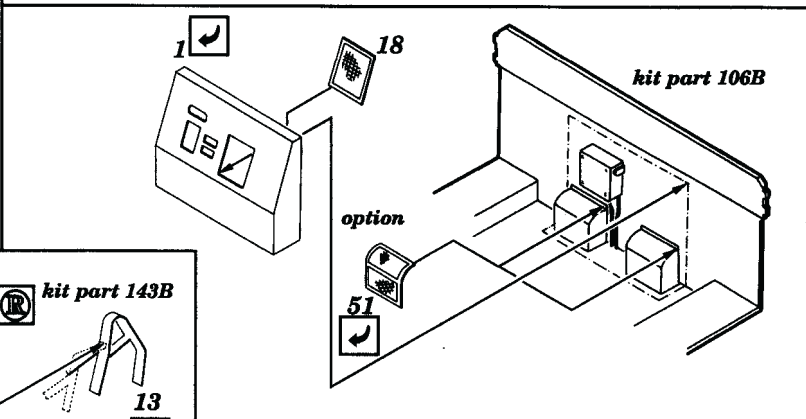
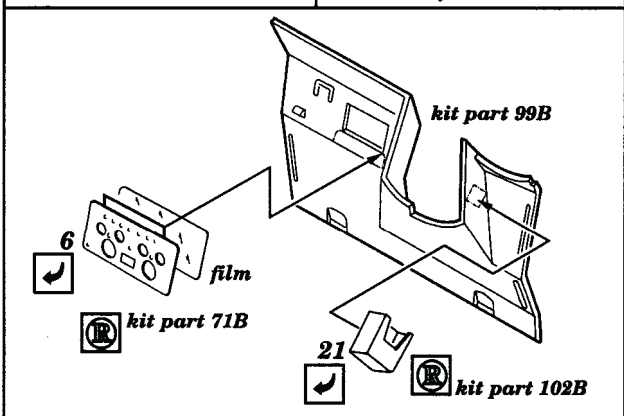
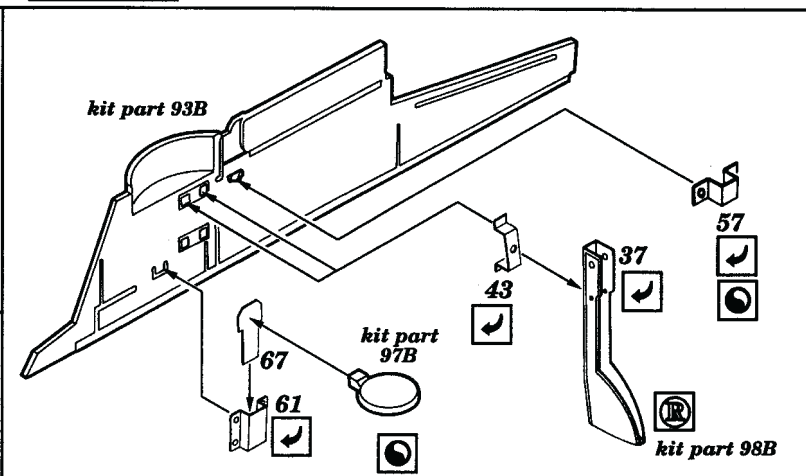
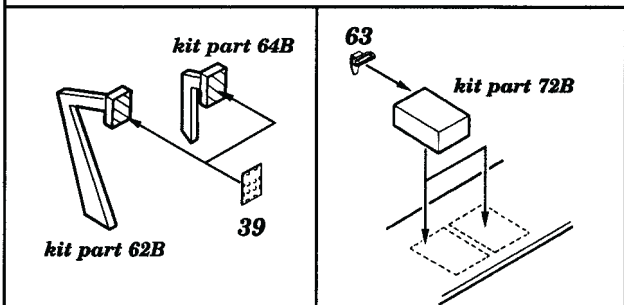
1/35 scale detail set for Italeri kit

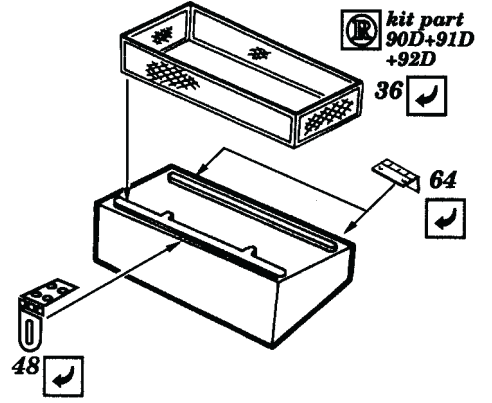
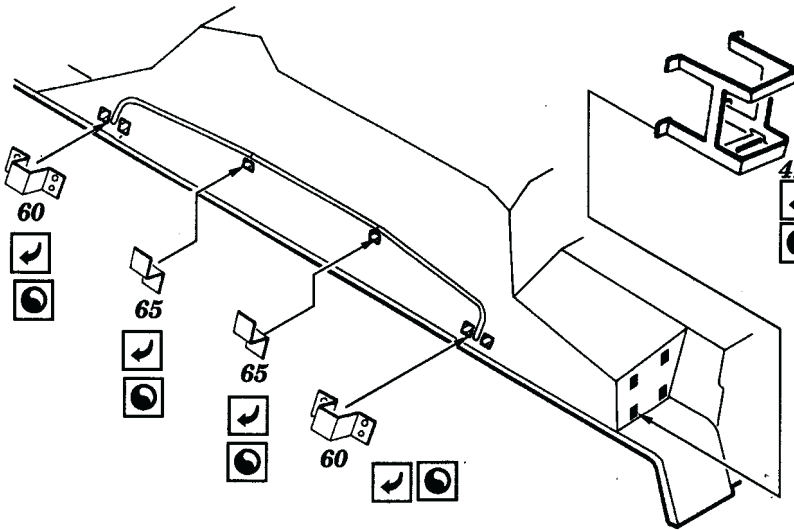


- OPPOSITE SIDE
- REMOVE
- REPLACE
- GRIND
- BEND

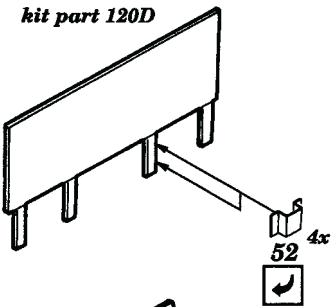


2x

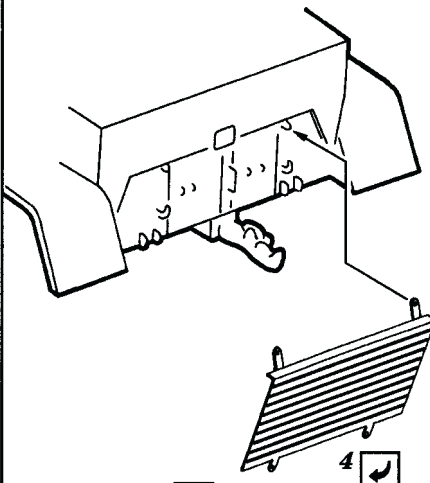




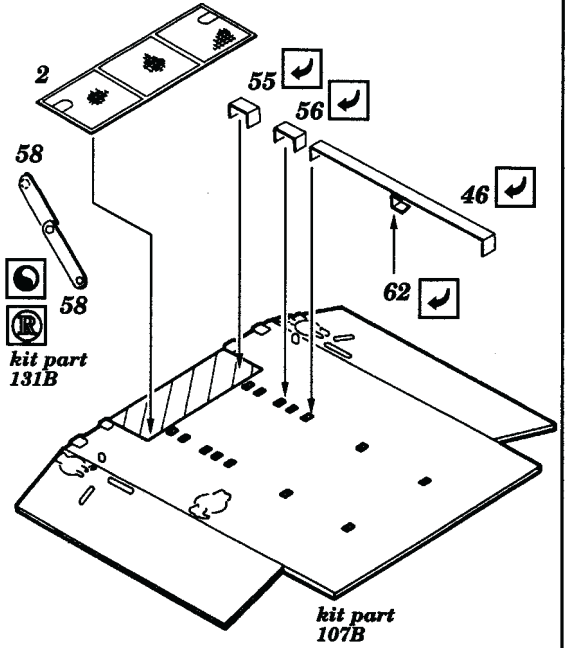
kit part 120D



kit part 140D



kit part 133D



kit part 131B

kit part 107B

