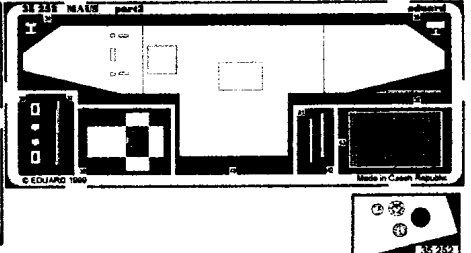
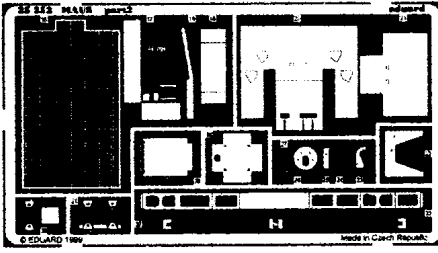
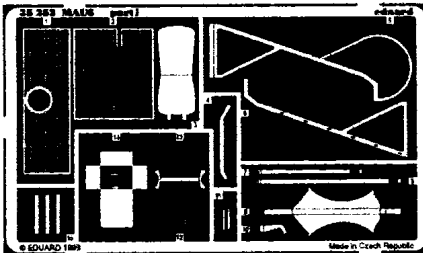




MAUS

1/35 scale detail set for Dragon kit

35 252



2x



OPPOSITE SIDE



REMOVE



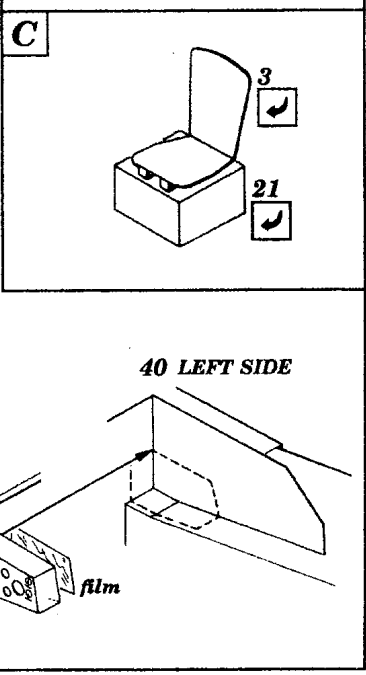
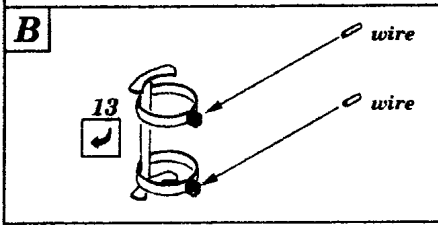
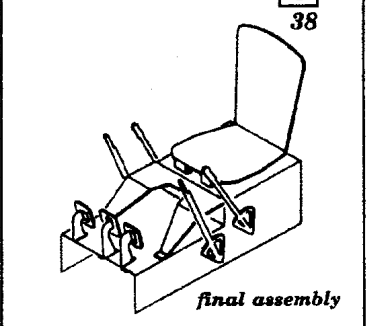
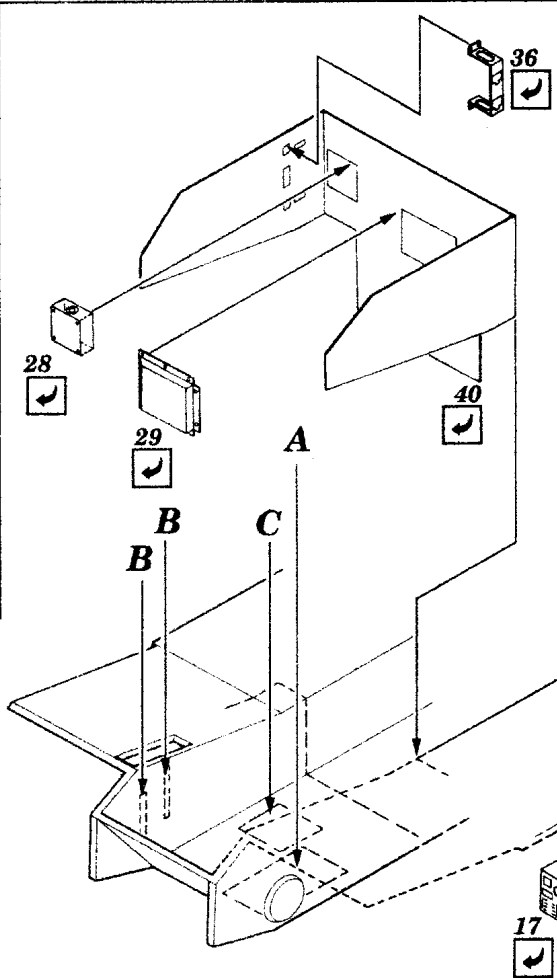
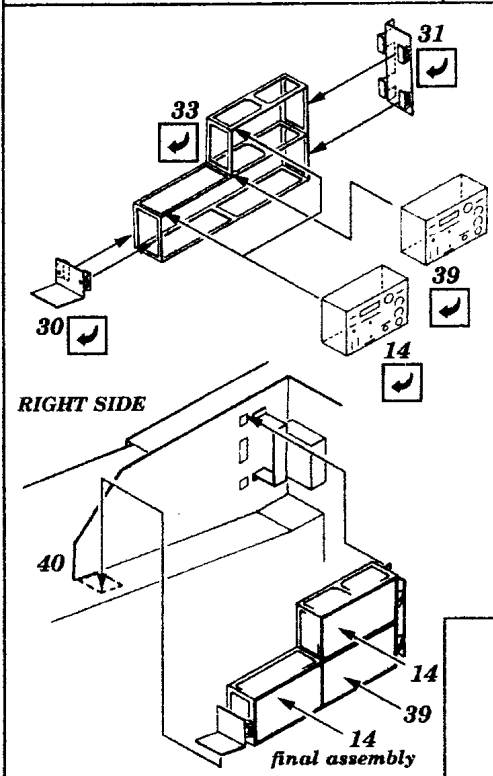
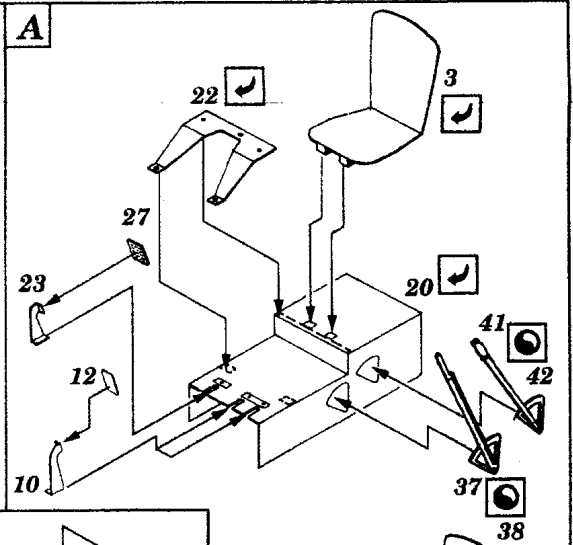
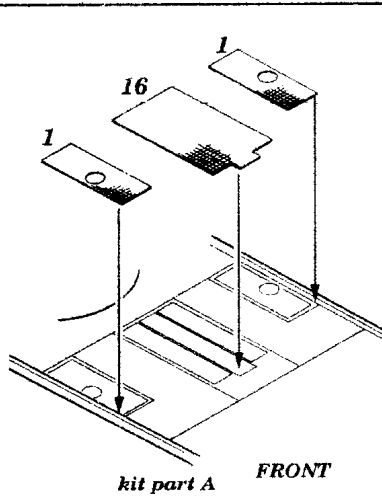
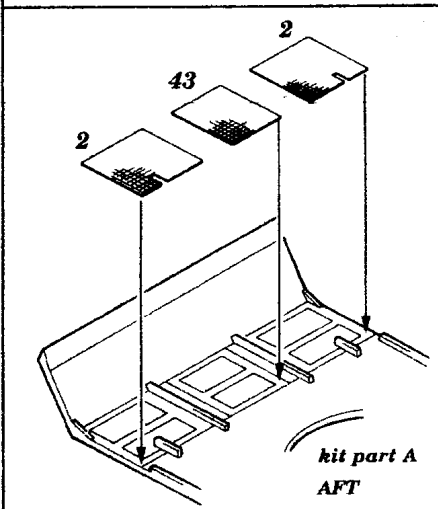
REPLACE



GRIND



BEND



Ⓜ
kit part F10
+E8

