

eduard



Náš se vracení

STAVEBNÍ NÁVOD
ASSEMBLY INSTRUCTIONS

1181

ATTENTION



UPOZORNĚNÍ



ACHTUNG



ATTENTION



注意



Carefully read instruction sheet before assembling. When you use glue or paint, do not use near open flame and use in well ventilated room. Keep out of reach of small children. Children must not be allowed to suck any part, or pull vinyl bag over the head.



Před započítím stavby si pečlivě prostudujte stavební návod. Při používání barev a lepidel pracujte v dobře větrané místnosti. Lepidla ani barvy nepoužívejte v blízkosti otevřeného ohně. Model není určen malým dětem, mohlo by dojít k požití drobných dílů.

INSTRUCTION SIGNS * INSTR. SYMBOLS * INSTRUKTION SINNBILDEN * SYMBOLES * 記号の説明

OPTIONAL
VOLBABEND
OHNOUTOPEN HOLE
VYVRTAT OTVORSYMMETRICAL ASSEMBLY
SYMETRICKÁ MONTÁŽREMOVE
ODŘÍZNOUTREVERSE SIDE
OTOČITAPPLY EDUARD MASK
AND PAINT
POUŽÍT EDUARD MASK
NABARVIT

PARTS



DÍLY



TEILE



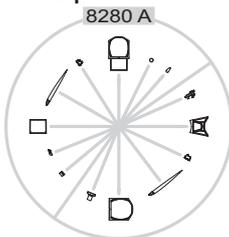
PIÈCES



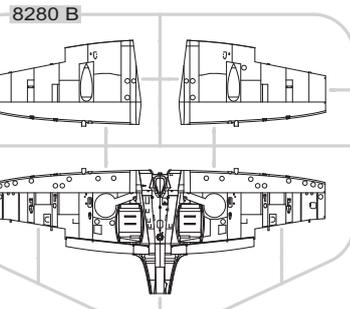
部品

PLASTIC PARTS

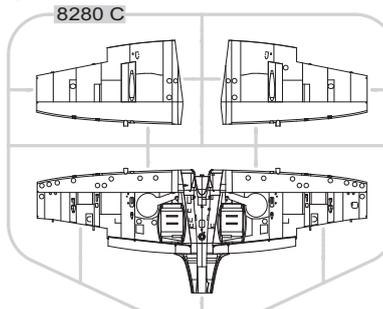
A> 2 pcs.



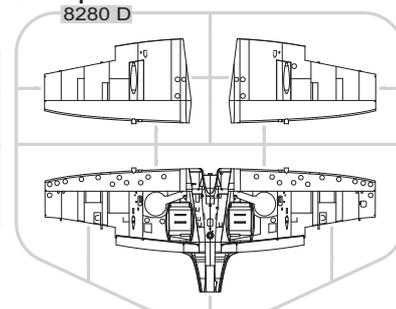
B>



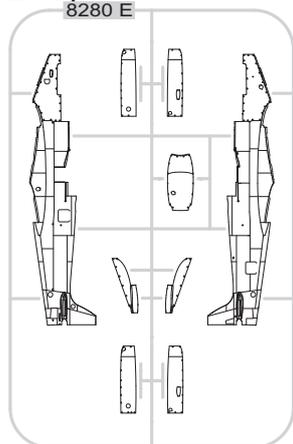
C>



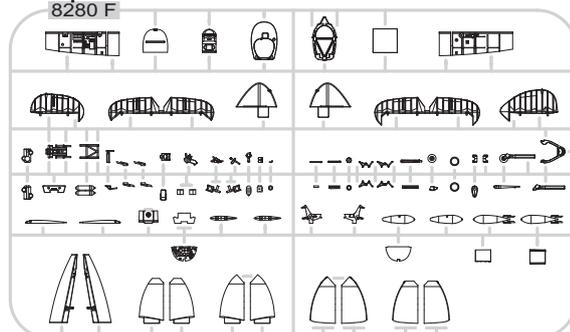
D> 2 pcs.



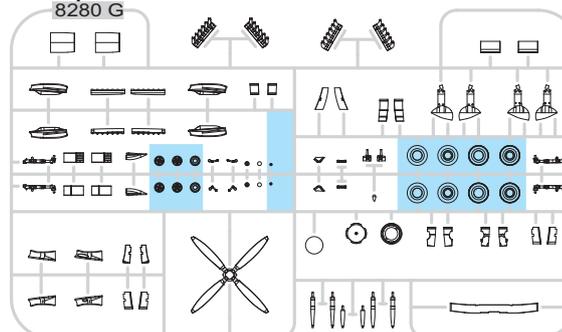
E> 2 pcs.



F> 2 pcs.

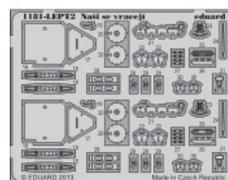
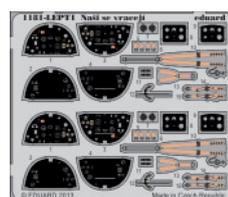
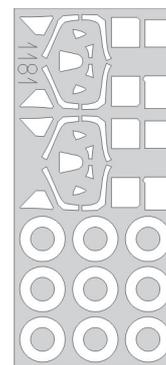


G> 2 pcs.



-Parts not for use. -Teile werden nicht verwendet. -Pièces à ne pas utiliser. -Tyto díly nepoužívejte při stavbě. - 使用しない部品

PE - PHOTO ETCHED DETAIL PARTS

eduard
MASKeduard
BRASSIN

RP - RESIN PARTS



COLOURS



BARVY



FARBEN



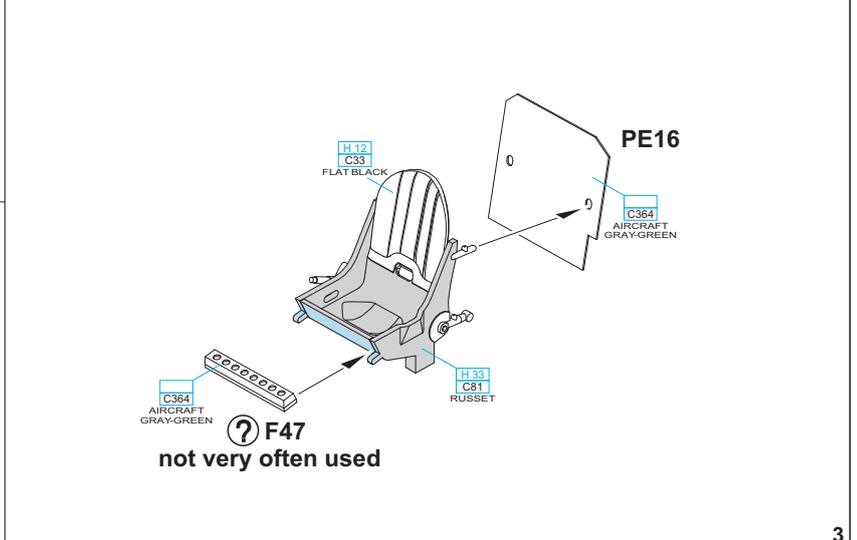
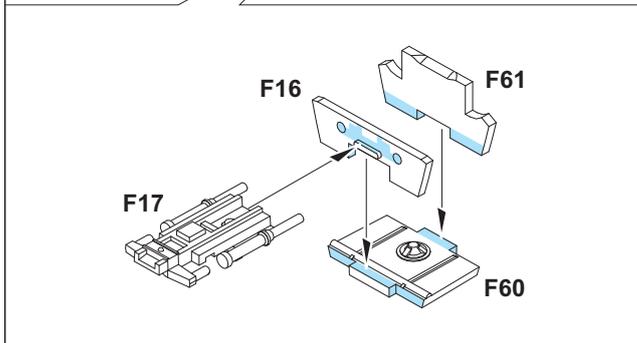
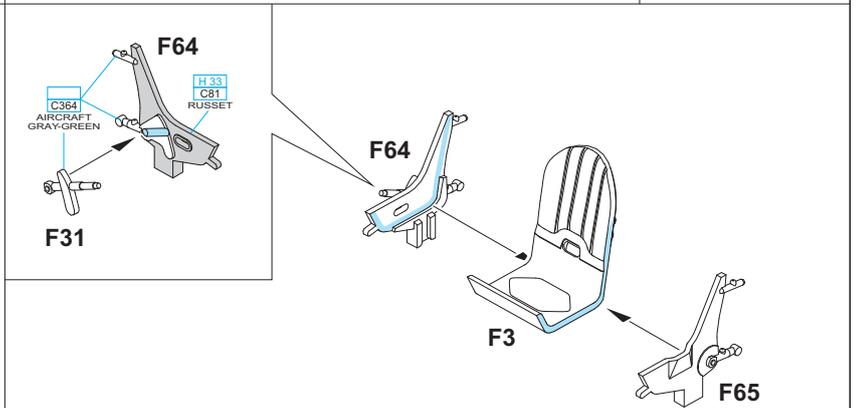
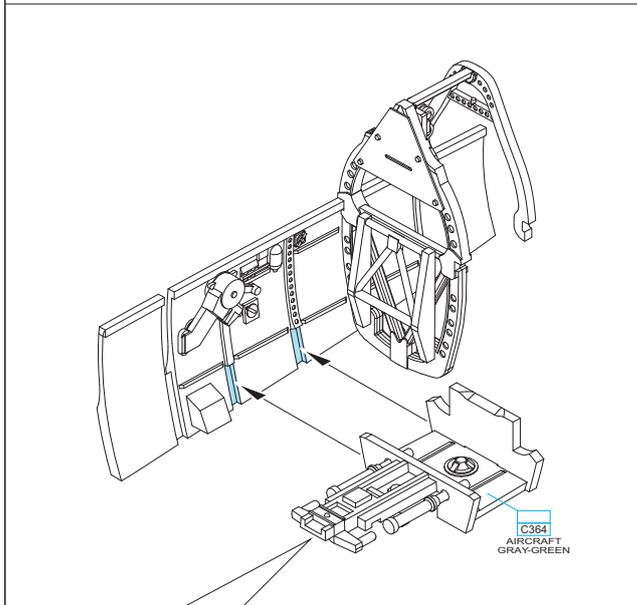
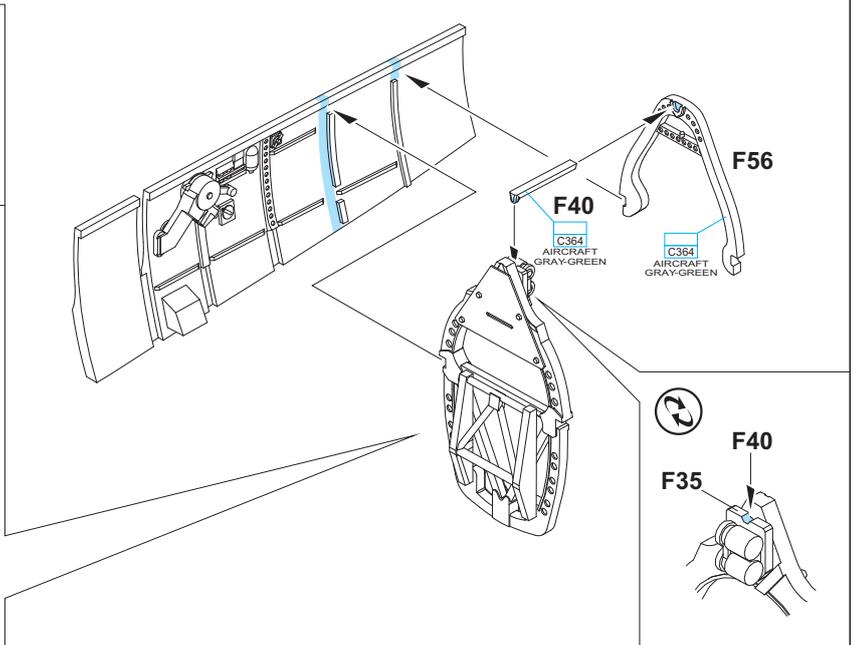
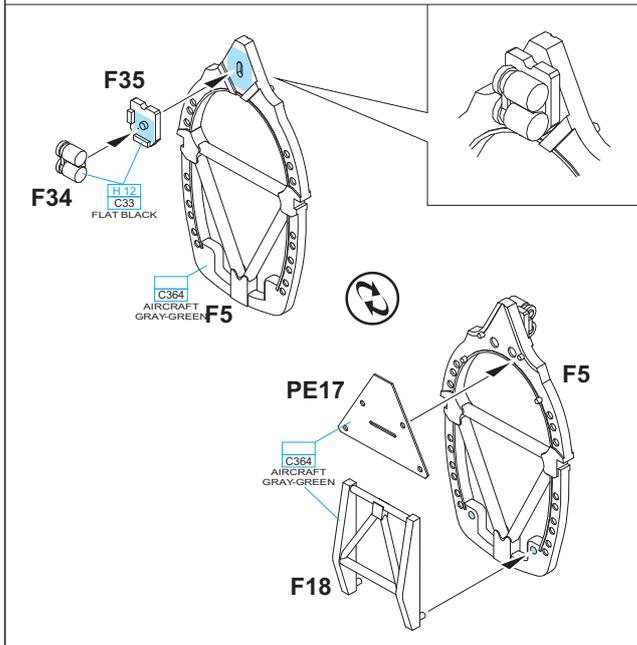
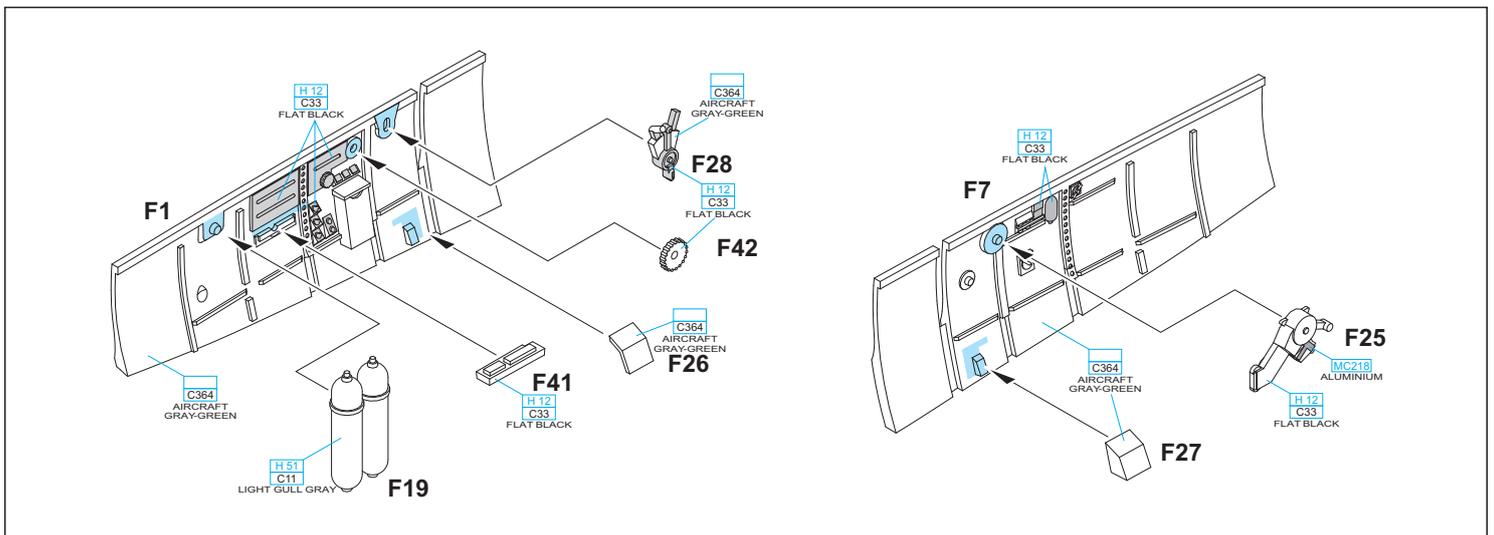
PEINTURE



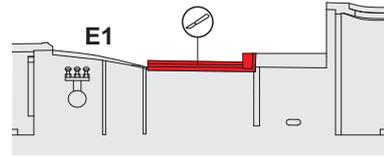
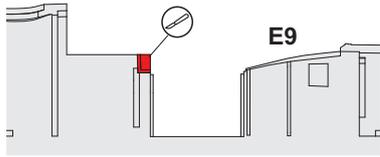
色

GSI Creos (GUNZE)		
AQUEOUS	Mr.COLOR	
H 4	C4	YELLOW
H 12	C33	FLAT BLACK
H 13	C3	FLAT RED
H 33	C81	RUSSET
H 51	C11	LIGHT GULL GRAY
H 52	C12	OLIVE DRAB
H 65	C18	BLACK GREEN
H 67	C115	LIGHT BLUE
H 72	C369	DARK EARTH
H 77	C137	TIRE BLACK
H 90	C47	CLEAR RED
H 94	C138	CLEAR GREEN
H 318	C316	WHITE

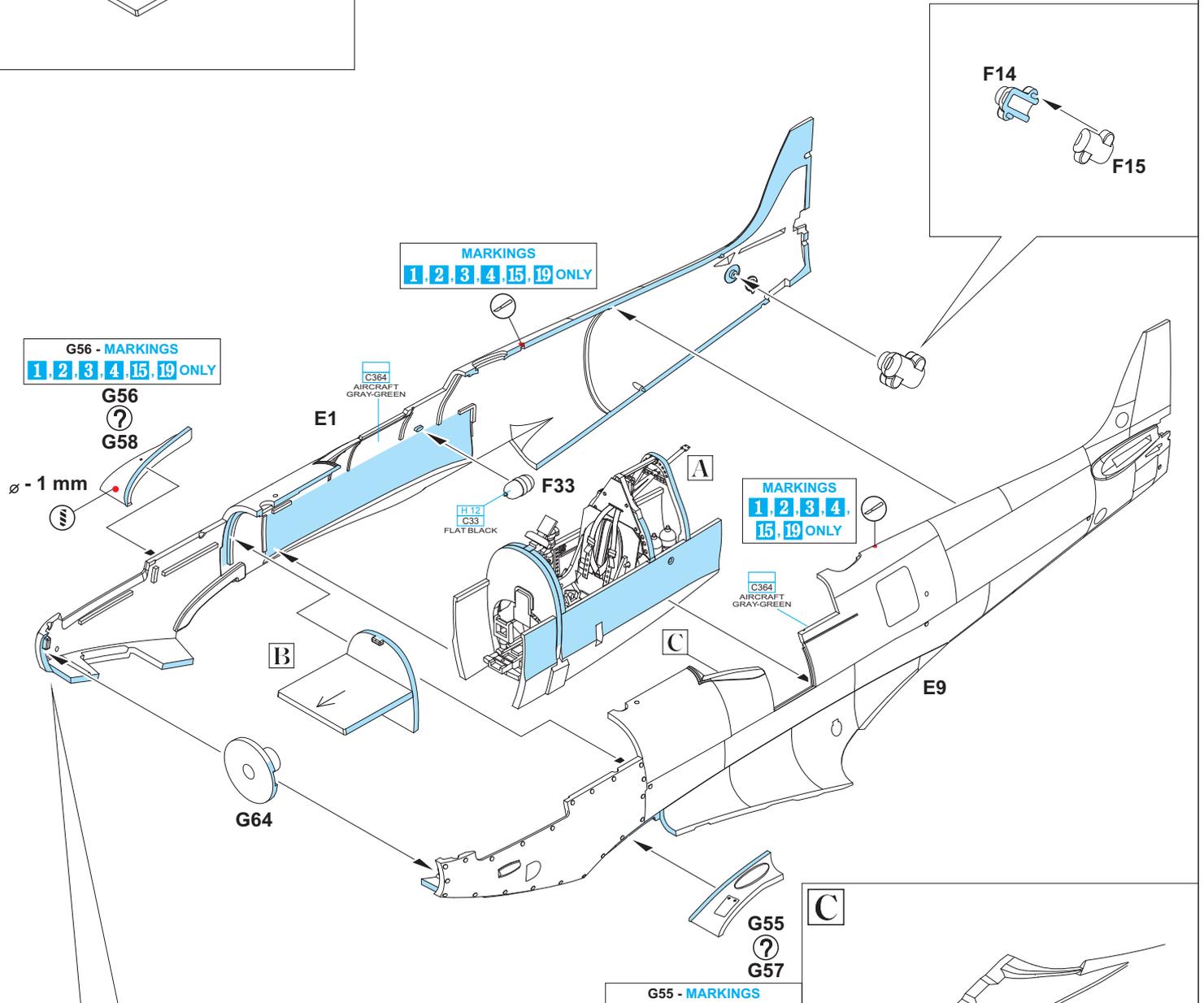
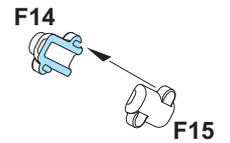
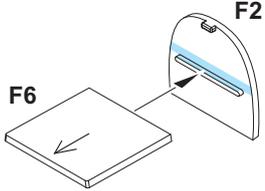
AQUEOUS	Mr.COLOR	
H 326	C326	BLUE
H 327	C327	RED
H 328	C328	BLUE
	C361	MEDIUM SEA GRAY
	C362	OCEAN GRAY
	C363	DARK GREEN
	C364	AIRCRAFT GRAY-GREEN
	C368	SKY
Mr.METAL COLOR		
	MC214	DARK IRON
	MC218	ALUMINIUM
Mr.COLOR SUPER METALLIC		
	SM06	CHROME SILVER



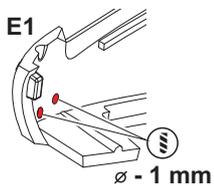
⑦ FOR CLOSED CANOPY ONLY



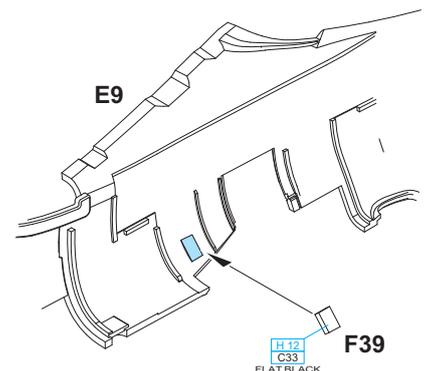
B

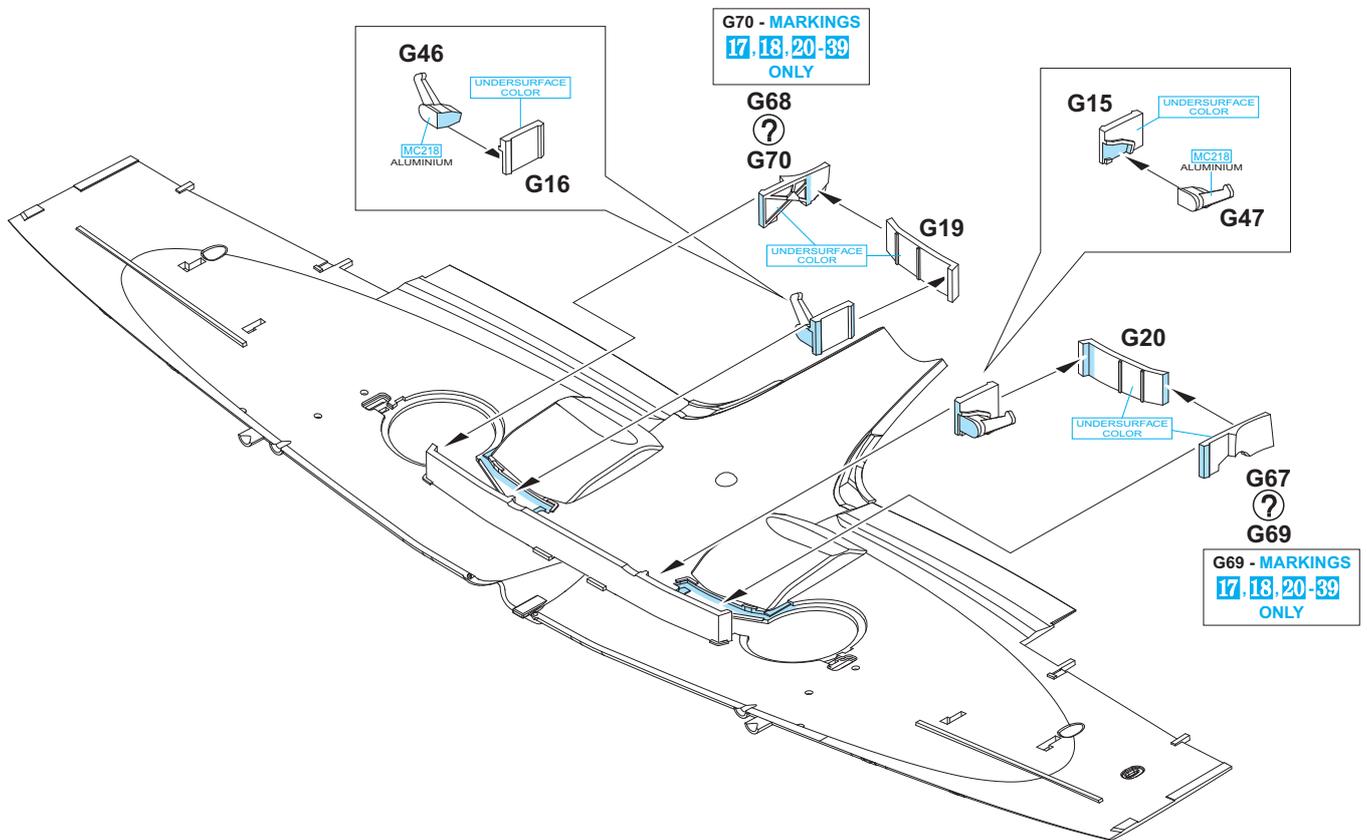
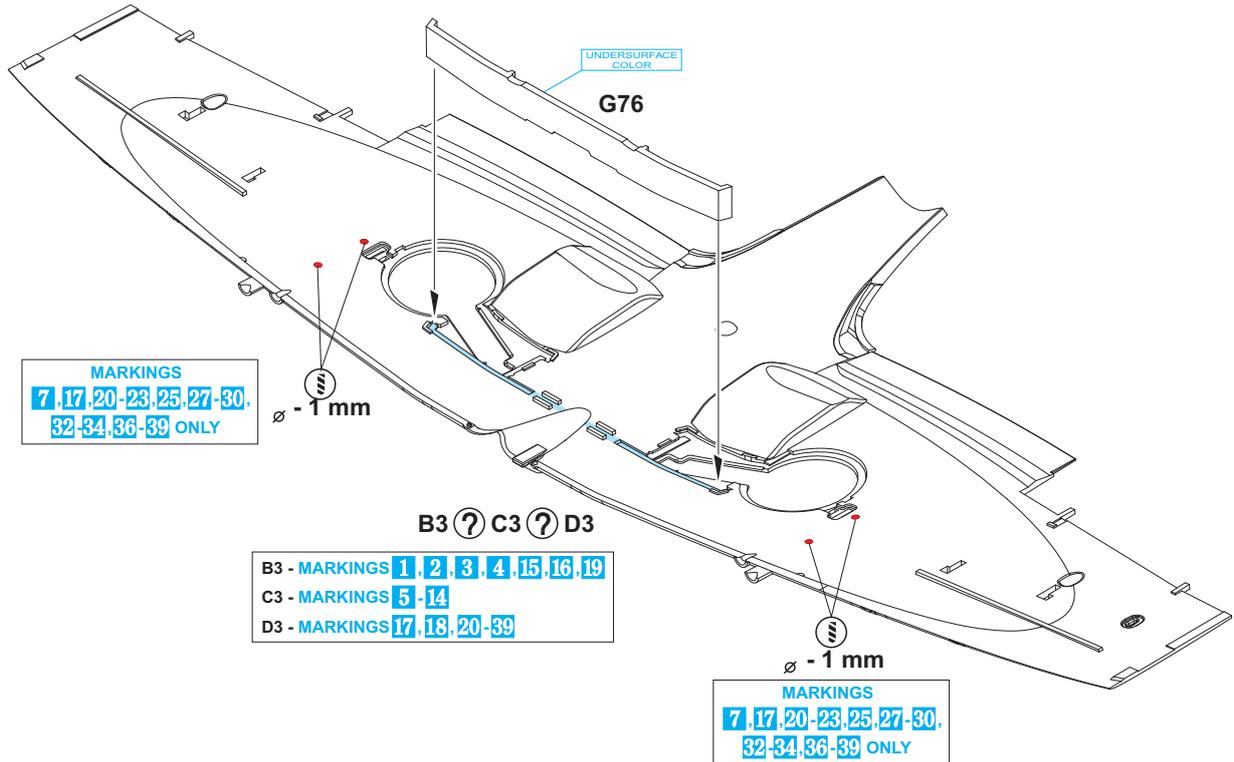


MARKINGS 1, 2, 3, 4, 15 ONLY



C



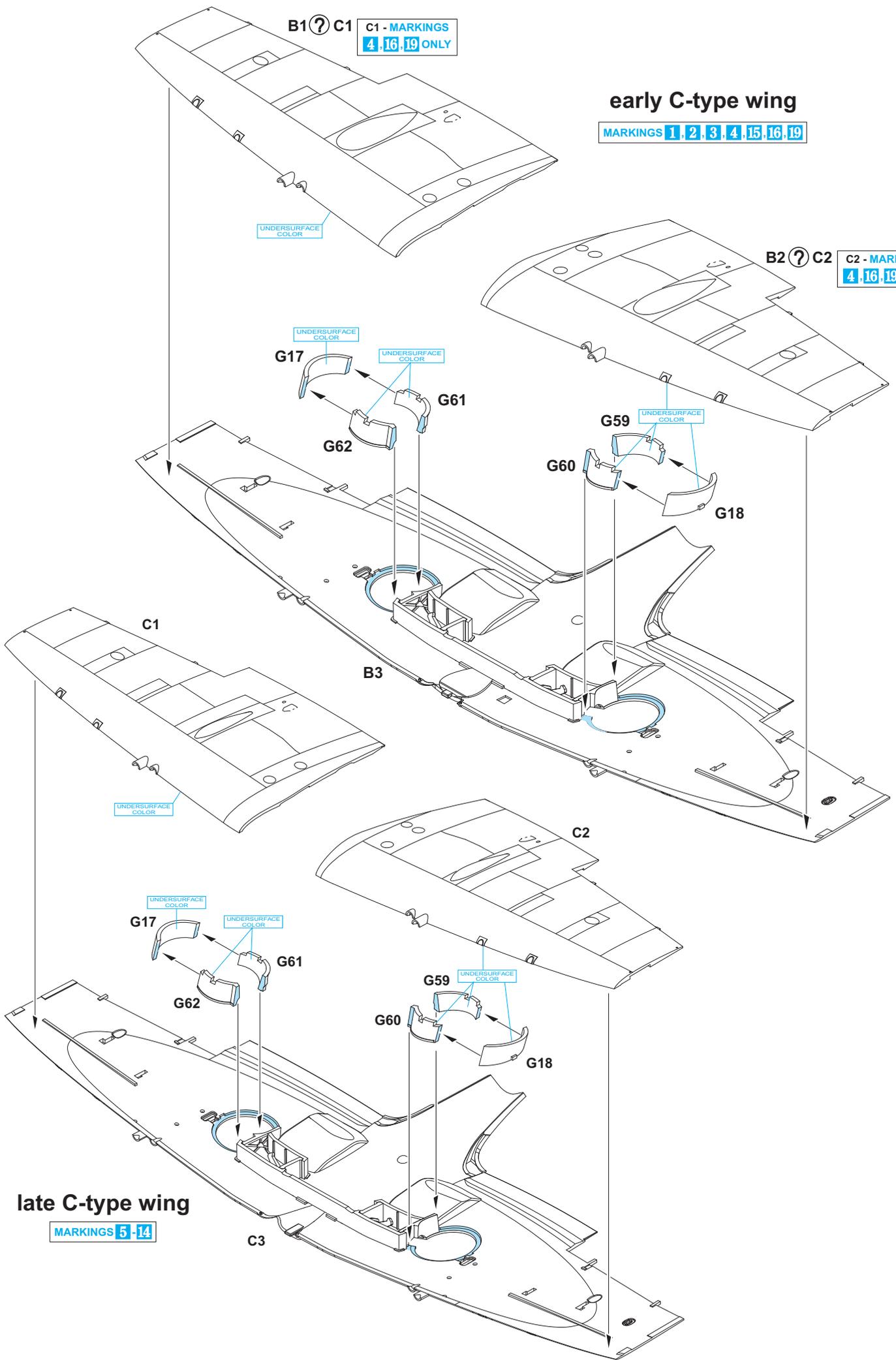


B1 ? C1 C1 - MARKINGS
4, 16, 19 ONLY

early C-type wing

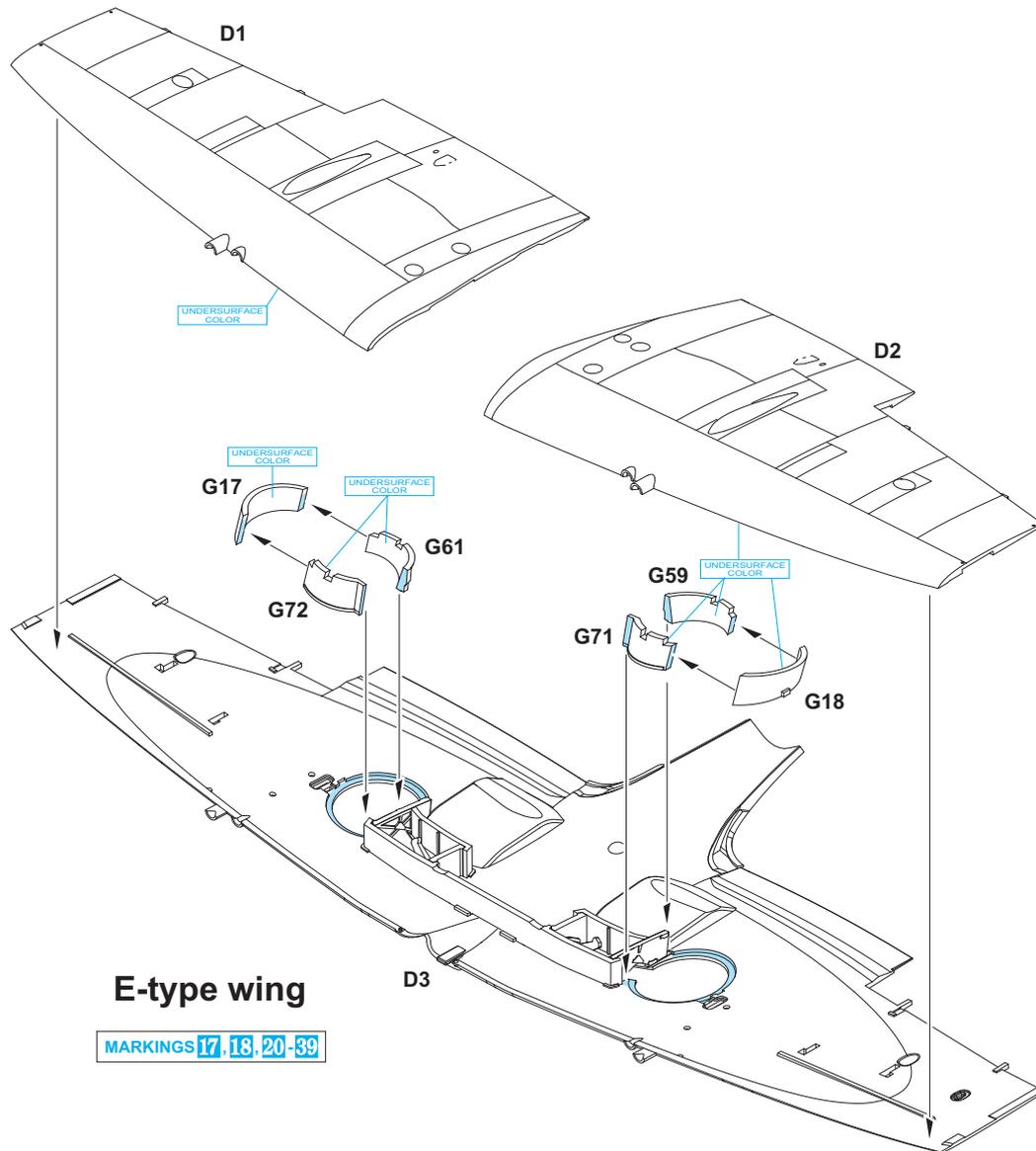
MARKINGS 1, 2, 3, 4, 15, 16, 19

B2 ? C2 C2 - MARKINGS
4, 16, 19 ONLY

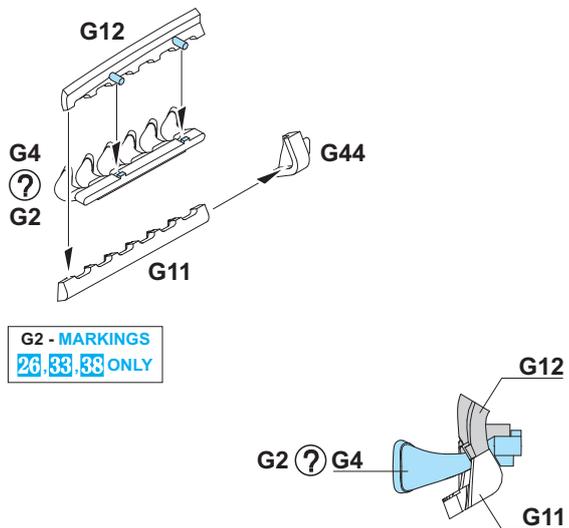


late C-type wing

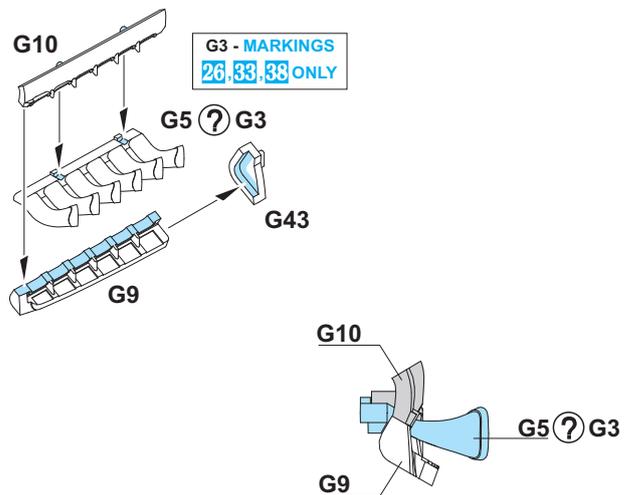
MARKINGS 5-14



D

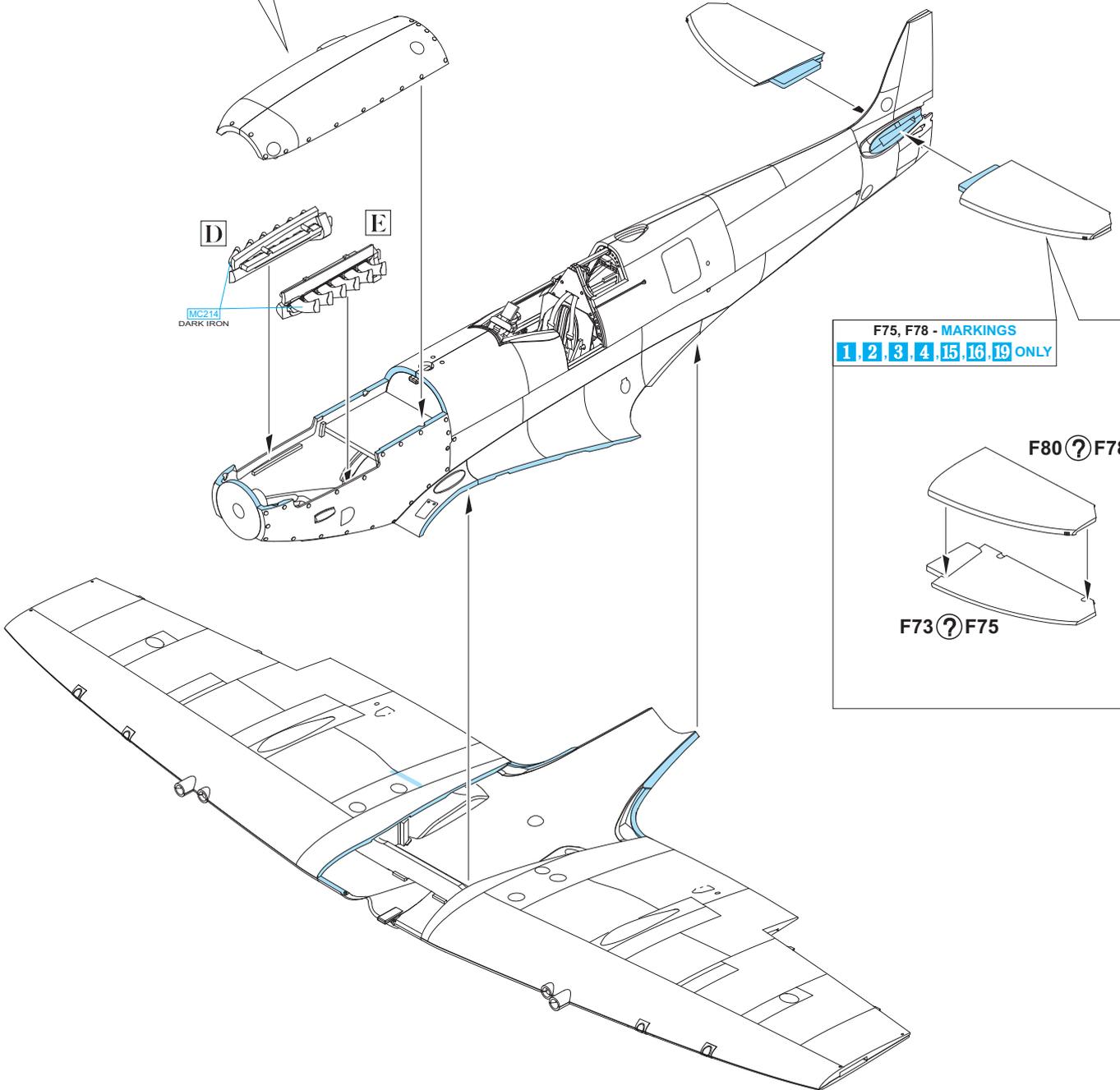
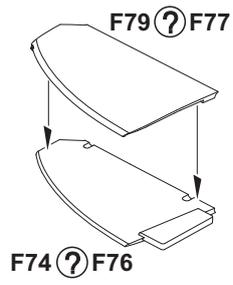
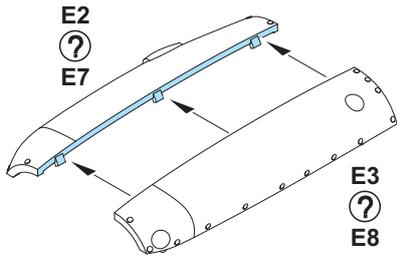


E

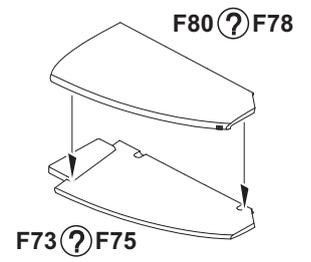


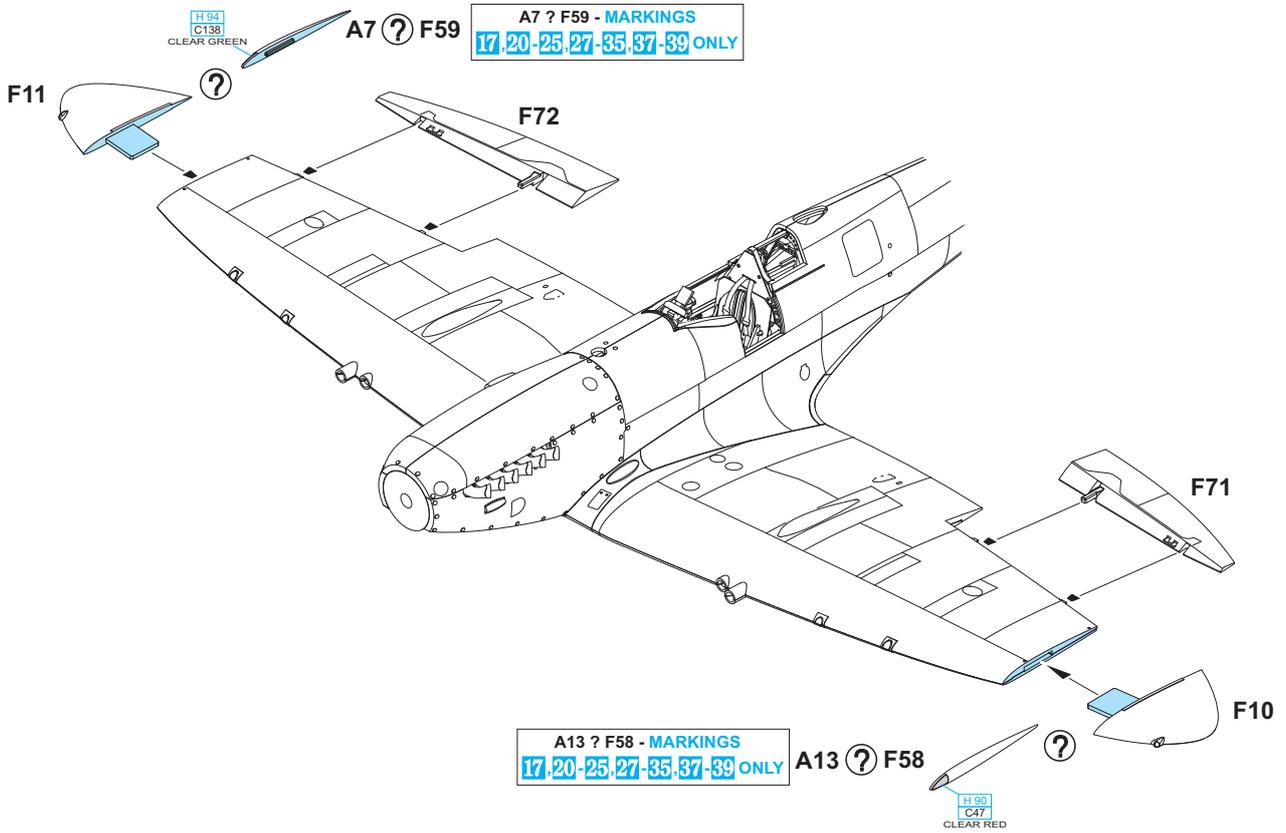
E7, E8 - MARKINGS 6, 7, 10, 14, 17, 18, 20-39 ONLY

F76, F77 - MARKINGS
1, 2, 3, 4, 15, 16, 19 ONLY

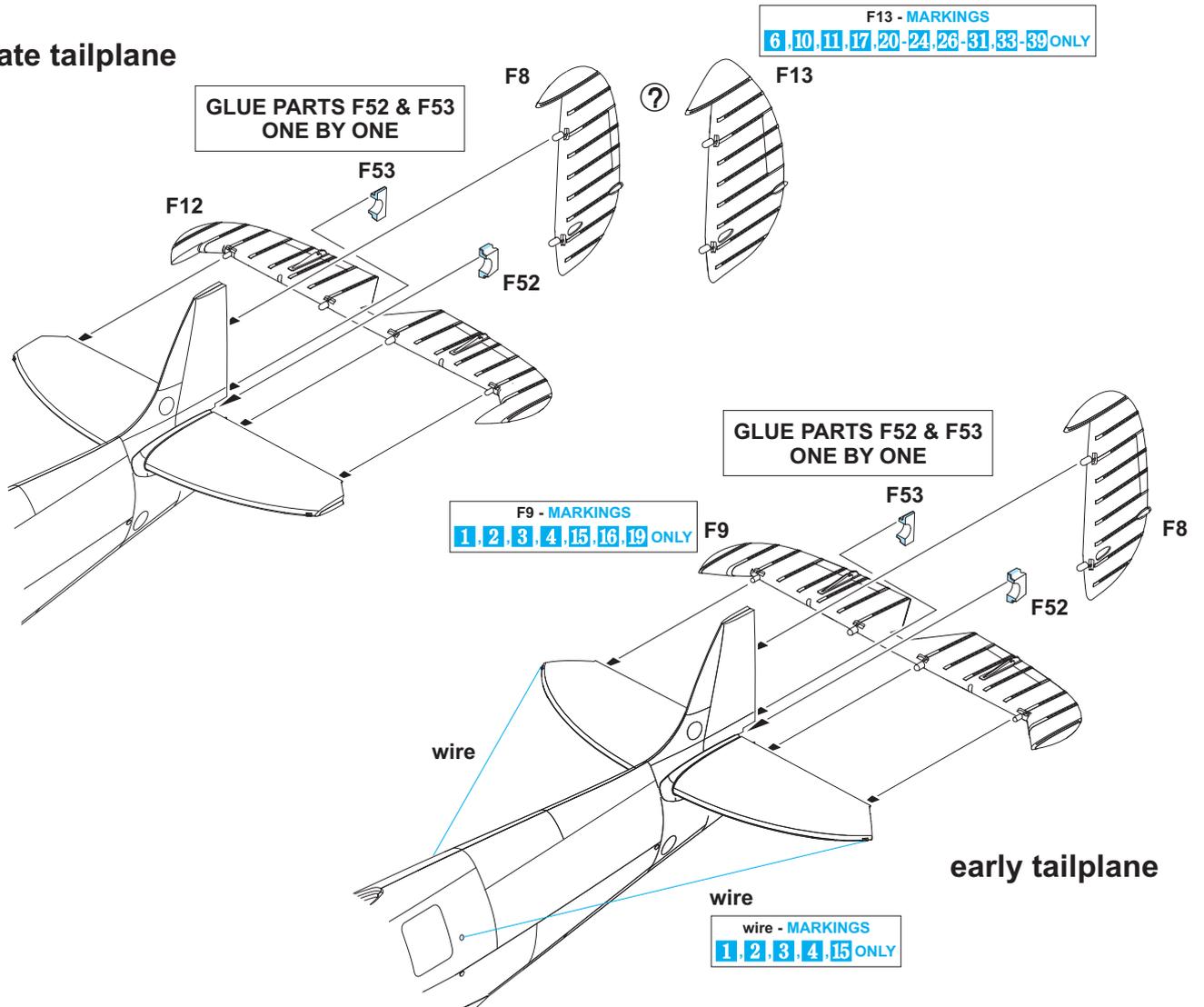


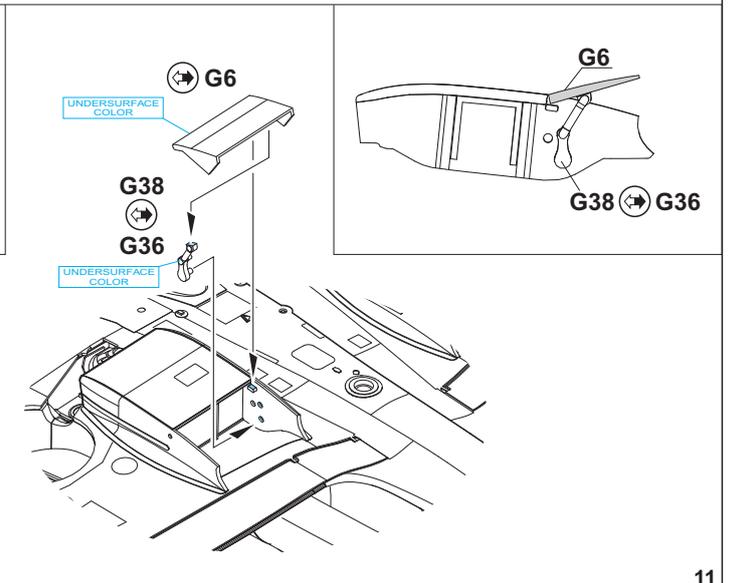
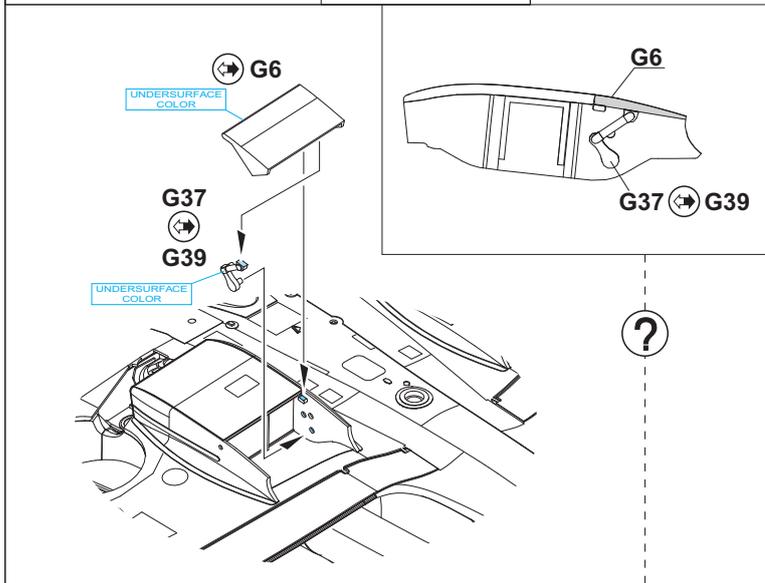
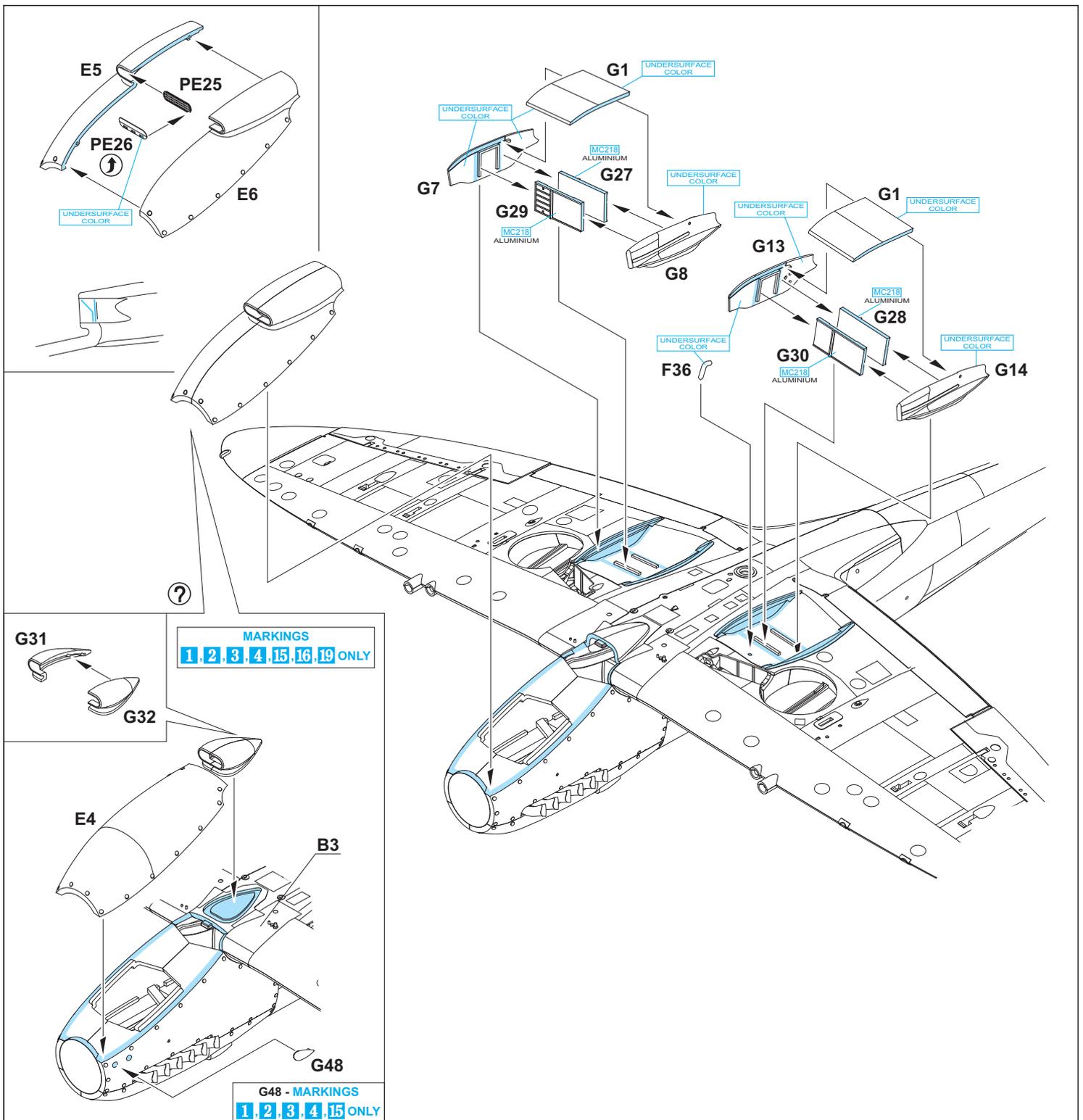
F75, F78 - MARKINGS
1, 2, 3, 4, 15, 16, 19 ONLY

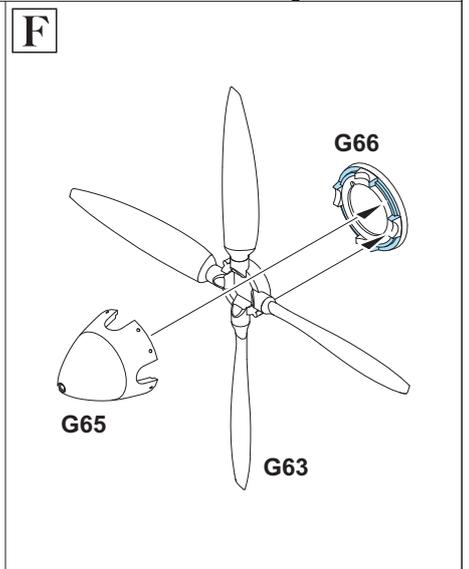
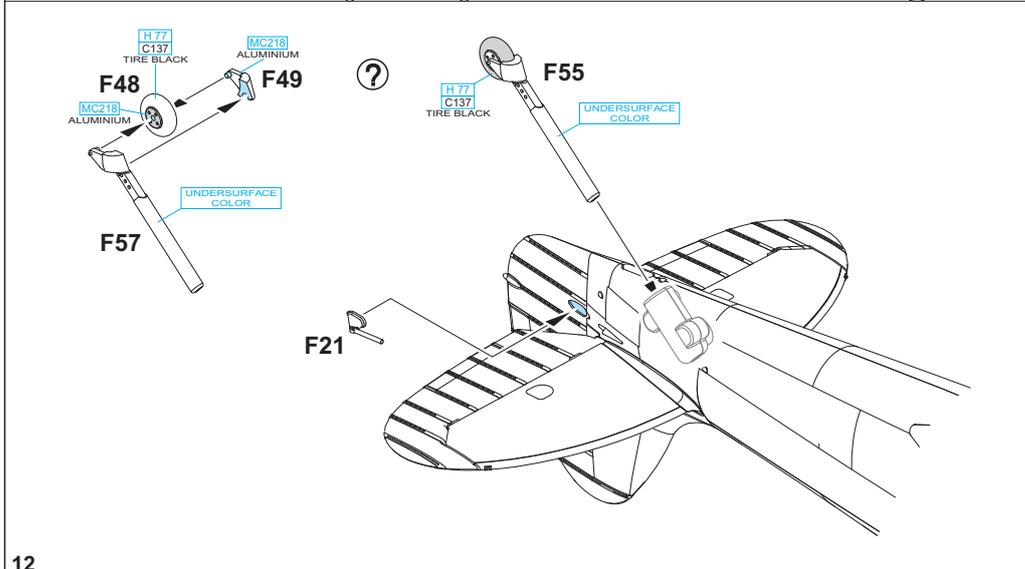
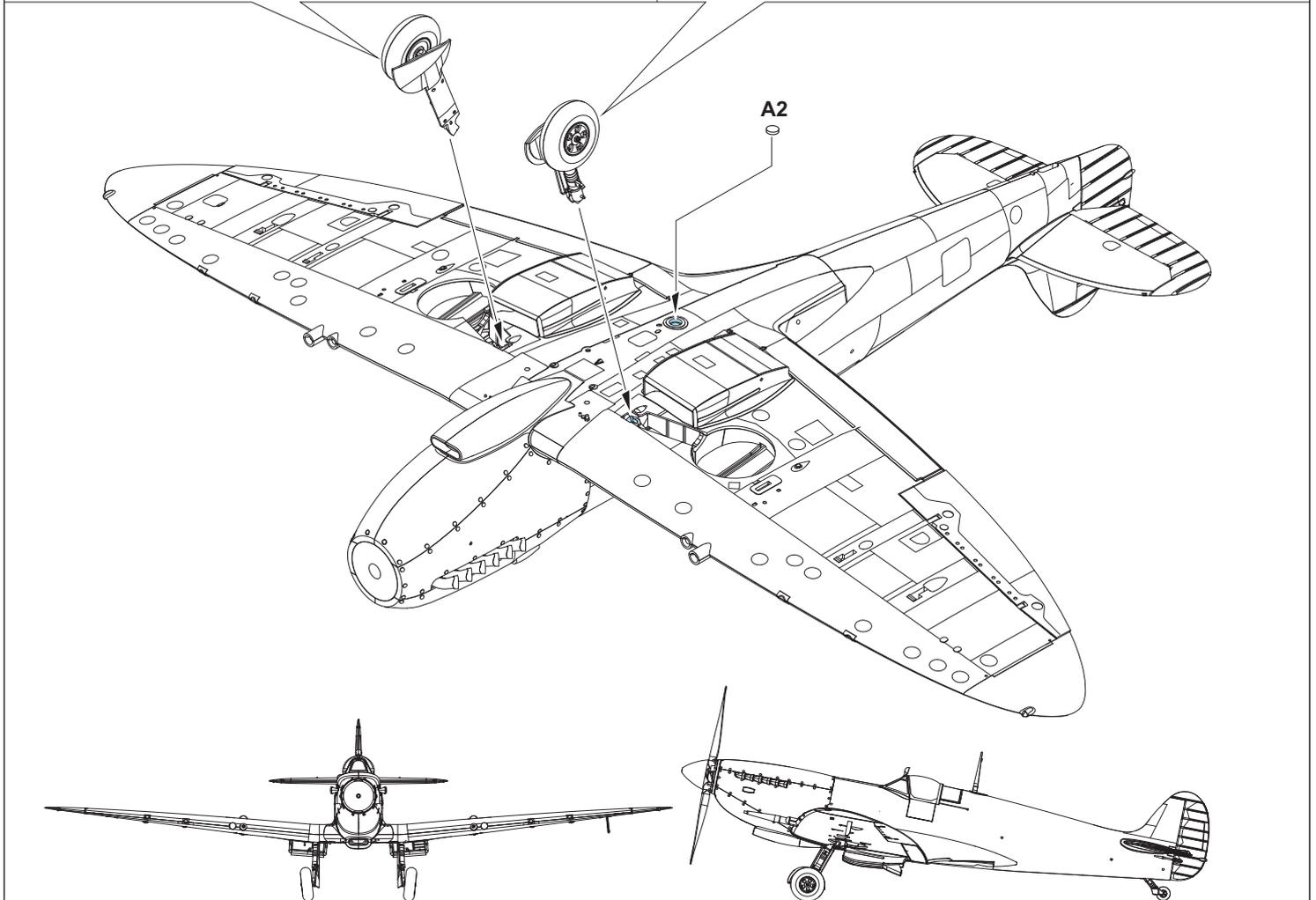
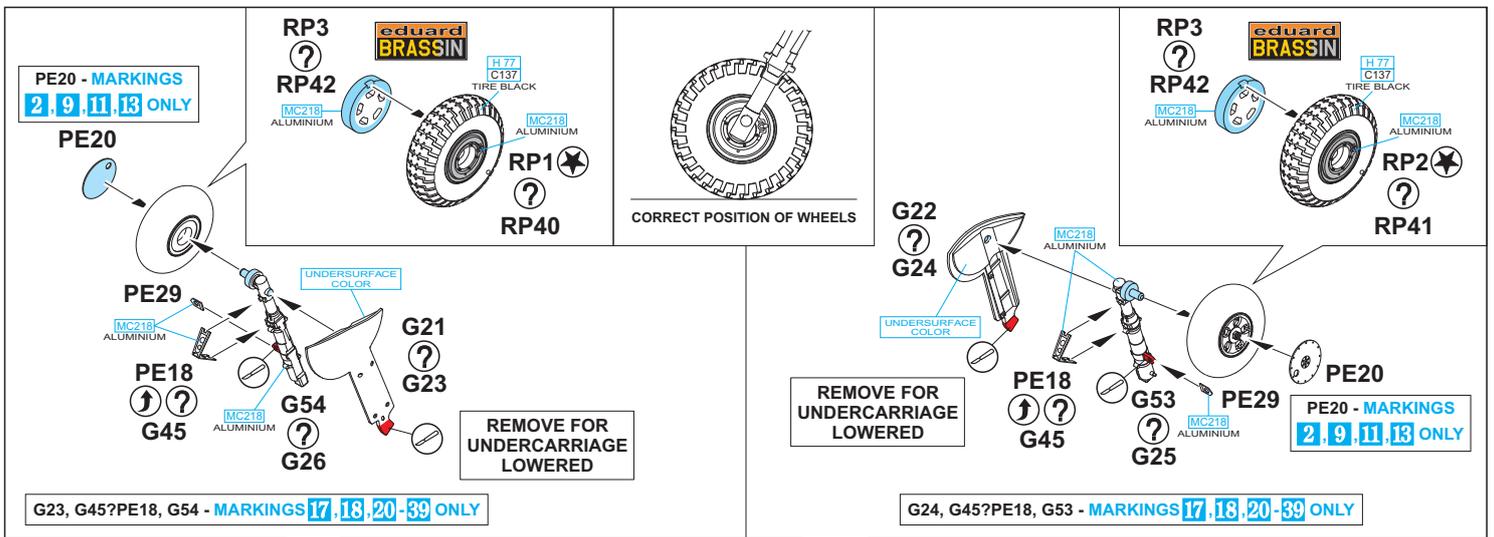




late tailplane







G PE31 - MARKINGS 1, 2 ONLY

A11 ? PE31 ↑

A5 *

PE23 ↑

C364 AIRCRAFT GRAY-GREEN

F12 C33 FLAT BLACK

A1 ? A8

A3 - MARKINGS 1, 2, 3, 4, 15, 16, 19 ONLY

G73 ?

G74 ?

G41

G73 ? G75 ?

G40

F37

F54

A8 *

A12 *

F51

A3

F70

C364 AIRCRAFT GRAY-GREEN

PE27 ↑

PE12 ↑

G40 ?

G73 ?

G41 ?

G74 ?

G73 ?

F

MARKINGS 1-16

G41 *

G73 *

MARKING 19

G73 *

MARKINGS 23, 24, 30, 34

2,5 mm

G74 *

G75 *

MARKINGS 17, 18, 20-22, 25, 27, 28, 33, 36, 39

G40 *

G74 *

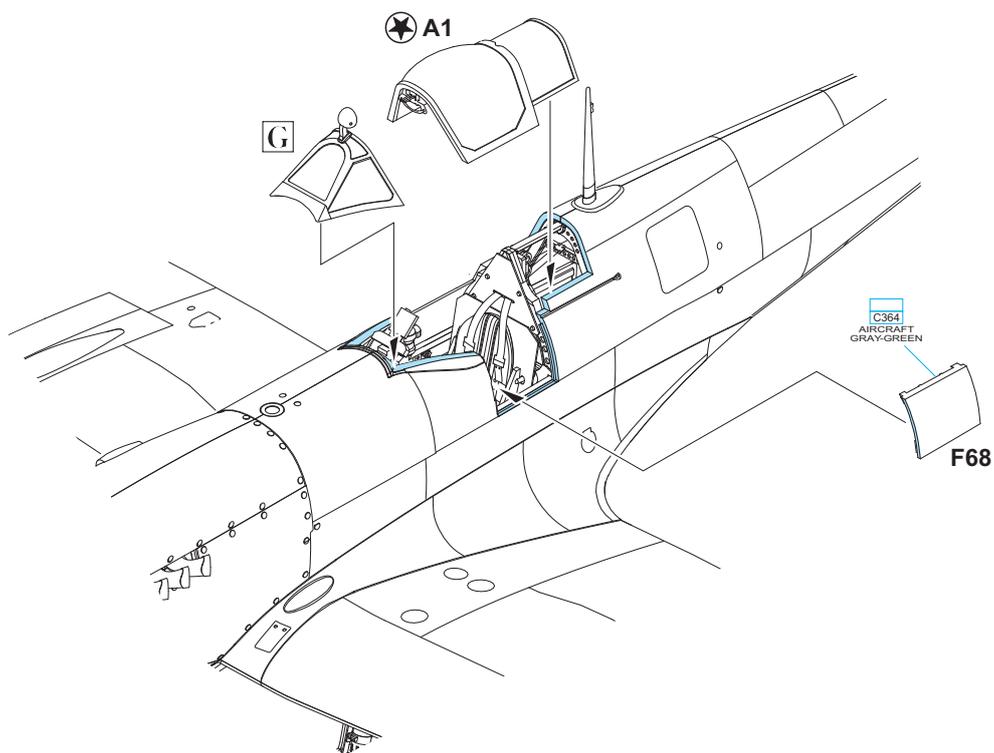
MARKINGS 26, 29, 31, 32, 35, 37, 38

7 mm

G74 *

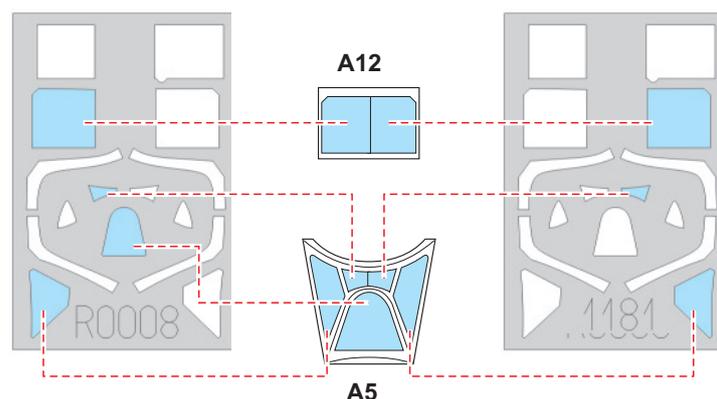
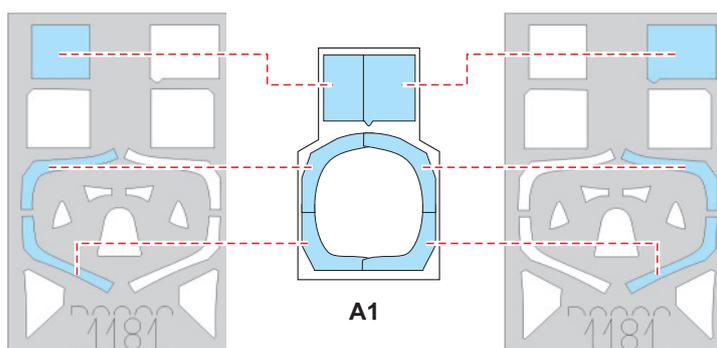
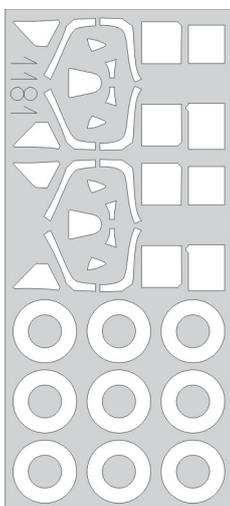
G75 *

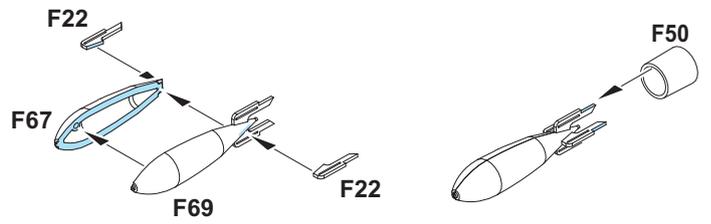
closed canopy assembly



eduard
MASK

1181





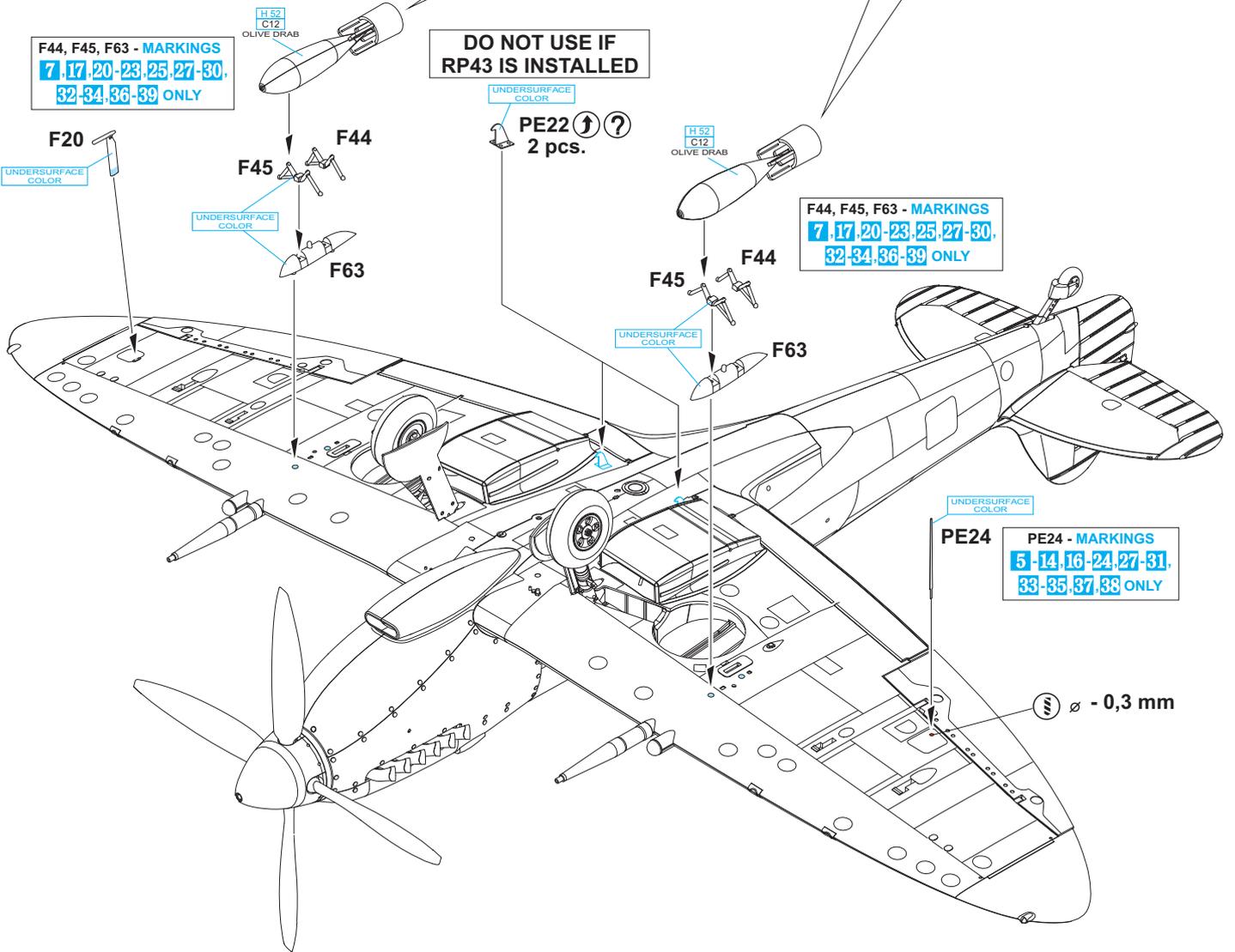
F44, F45, F63 - MARKINGS
7, 17, 20, 23, 25, 27, 30,
32, 34, 36, 39 ONLY

**DO NOT USE IF
 RP43 IS INSTALLED**

UNDERSURFACE
 COLOR
PE22 (↑) (?)
 2 pcs.

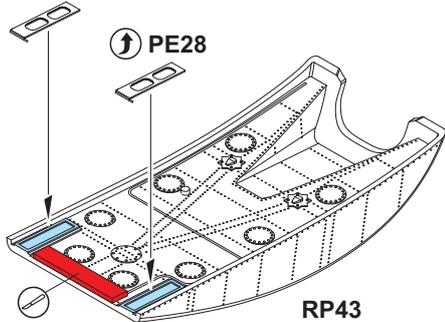
F44, F45, F63 - MARKINGS
7, 17, 20, 23, 25, 27, 30,
32, 34, 36, 39 ONLY

UNDERSURFACE
 COLOR
PE24 (↑)
PE24 - MARKINGS
5, 14, 16, 24, 27, 31,
33, 35, 37, 38 ONLY



(↑) **PE28**

(↑) **PE28**



RP43
eduard
BRASSIN

UNDERSURFACE
 COLOR

UNDERSURFACE
 COLOR

(↑) **PE30**
 2 pcs.

